



U.S. Department  
of Transportation

Pipeline and  
Hazardous Materials  
Safety Administration

East Building, PHH-23  
1200 New Jersey Ave, SE  
Washington, D.C. 20590

IAEA CERTIFICATE OF COMPETENT AUTHORITY  
SPECIAL FORM RADIOACTIVE MATERIALS

CERTIFICATE USA/0818/S-96, REVISION 1

This certifies that the source described has been demonstrated to meet the regulatory requirements for special form radioactive material as prescribed in the regulations of the International Atomic Energy Agency<sup>1</sup> and the United States of America<sup>2</sup> for the transport of radioactive material.

1. Source Identification - Source Production and Equipment Company, Inc. MiniBulk Source Capsule.
2. Source Description - Cylindrical single encapsulation made of Type 410 stainless steel and tungsten inert gas seal welded. Approximate outer dimensions are 10.98 mm (0.432 in.) in diameter and 39.0 mm (1.54 in.) in length. Construction shall be in accordance with attached Source Production & Equipment Co., Inc., Drawing No. B170550, Rev. 0.
3. Radioactive Contents - No more than either 55.5 TBq (1,500 Ci) of Selenium-75, 81.4 TBq (2,200 Ci) of Iridium-192, or 55.5 TBq (1,500 Ci) of Ytterbium-169. The Se-75 is in a solid metal alloy sealed in primary Vanadium capsules. The Ir-192 is in solid metallic form. The Yb-169 is in the form of solid oxide pellets.
4. Management System Activities - Records of Management System activities required by Paragraph 306 of the IAEA regulations shall be maintained and made available to the authorized officials for at least three years after the last shipment authorized by this certificate. Consignors in the United States exporting shipments under this certificate shall satisfy the requirements of Subpart H of 10 CFR 71.

---

<sup>1</sup> "Regulations for the Safe Transport of Radioactive Material, 2012 Edition, No. SSR-6" published by the International Atomic Energy Agency (IAEA), Vienna, Austria.

<sup>2</sup> Title 49, Code of Federal Regulations, Parts 100-199, United States of America.

**CERTIFICATE USA/0818/S-96, REVISION 1**

5. Expiration Date - This certificate expires on April 30, 2024. Previous editions which have not reached their expiration date may continue to be used.

This certificate is issued in accordance with paragraph(s) 804 of the IAEA Regulations and Section 173.476 of Title 49 of the Code of Federal Regulations, in response to the April 22, 2019 petition by Source Production and Equipment Company, Inc., St. Rose, LA, and in consideration of other information on file in this Office.

Certified By:



May 01, 2019  
(DATE)

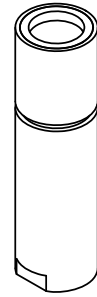
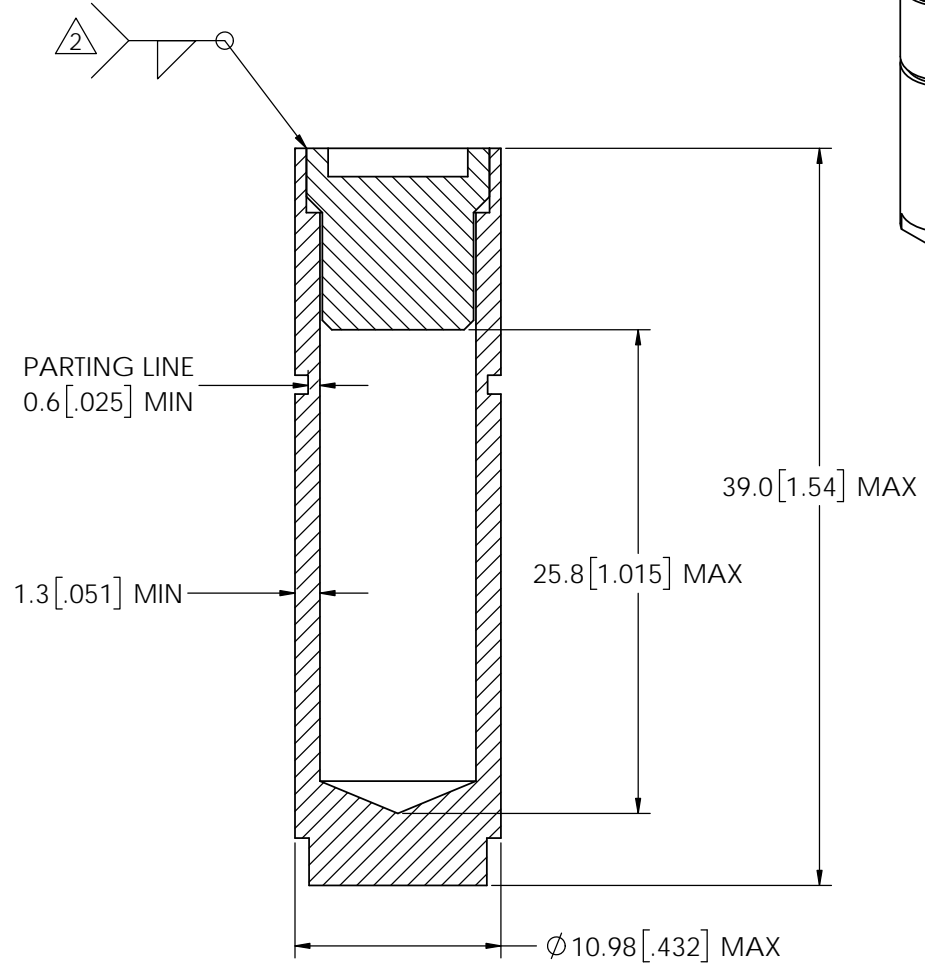
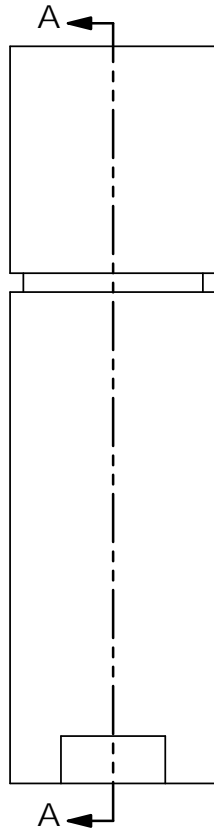
*WJS*  
\_\_\_\_\_  
William Schoonover  
Associate Administrator for Hazardous  
Materials Safety

Revision 1 - Issued to extend the expiration date, and to eliminate Selenium-75 in elemental form.

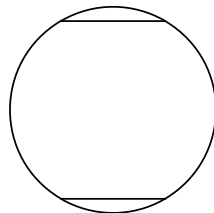
**NOTES:**

1. MATERIAL IS 410 STAINLESS STEEL.
2. TIG WITH MINIMUM 0.5 mm PENETRATION.

REVISIONS			
REV	DESCRIPTION	DATE	APPROVED



SECTION A-A



UNLESS OTHERWISE SPECIFIED DIMENSIONS ARE IN MILLIMETERS TOLERANCES ARE:  N/A	APPROVALS	DATE	SOURCE PRODUCTION & EQUIPMENT CO., INC. 113 TEAL ST, ST. ROSE, LA 70087		
	DRAWN WKM	9-19-16			
	CHECKED MQ1	MQ1			
	APPROVED MQ1	MQ1			
TREATMENT NONE			MINI BULK SPECIAL FORM CAPSULE		
FINISH NONE			SIZE <b>A</b>	DWG. NO. B170550	REV <b>0</b>
DO NOT SCALE DRAWING	QA CLASS	N/A	SCALE: NTS	B17055000	SHEET 1 OF 1



U.S. Department of  
Transportation

**Pipeline and  
Hazardous Materials  
Safety Administration**

East Building, PHH-23  
1200 New Jersey Ave, SE  
Washington, D.C. 20590

**CERTIFICATE NUMBER:** USA/0818/S-96

**ORIGINAL REGISTRANT(S) :**

Source Production and Equipment Company, Inc.  
113 Teal Street  
St. Rose, LA, 70087  
USA