



U.S. Department  
of Transportation  
**Pipeline and  
Hazardous Materials  
Safety Administration**

**IAEA CERTIFICATE OF COMPETENT AUTHORITY  
SPECIAL FORM RADIOACTIVE MATERIALS  
CERTIFICATE USA/0807/S-96, REVISION 1**

East Building, PHH-23  
1200 New Jersey Avenue Southeast  
Washington, D.C. 20590

This certifies that the source described has been demonstrated to meet the regulatory requirements for special form radioactive material as prescribed in the regulations of the International Atomic Energy Agency<sup>1</sup> and the United States of America<sup>2</sup> for the transport of radioactive material.

1. Source Identification - QSA Global, Inc. Model X9105/1.
2. Source Description - Cylindrical single encapsulation made of 300 series stainless steel and seal welded. The radioactive material may be inside an inner assembly made of stainless steel, platinum, or platinum alloy. Approximate outer dimensions are 60.2 mm (2.37 in.) in diameter and 139.95 mm (5.51 in.) in length. Construction shall be in accordance with attached QSA Global, Inc. Drawing No. RB00442-1, Rev. B.
3. Radioactive Contents - No more than 111 GBq (3 Ci) of Radium-226. The Ra-226 is in the form of a chloride, bromide, sulphate, titanate or carbonate.
4. Quality Assurance - Records of Quality Assurance activities required by Paragraph 310 of the IAEA regulations<sup>1</sup> shall be maintained and made available to the authorized officials for at least three years after the last shipment authorized by this certificate. Consignors in the United States exporting shipments under this certificate shall satisfy the applicable requirements of Subpart H of 10 CFR 71.
5. Expiration Date - This certificate expires on February 28, 2020. On August 31, 2015, this certificate supersedes all previous revisions of USA/0807/S-96.

---

<sup>1</sup> "Regulations for the Safe Transport of Radioactive Material, 1996 Edition (Revised), No. TS-R-1 (ST-1, Revised)," published by the International Atomic Energy Agency(IAEA), Vienna, Austria.

<sup>2</sup> Title 49, Code of Federal Regulations, Parts 100-199, United States of America.

**CERTIFICATE USA/0807/S-96, REVISION 1**


This certificate is issued in accordance with paragraph 804 of the IAEA Regulations and Section 173.476 of Title 49 of the Code of Federal Regulations, in response to the April 02, 2015 petition by QSA Global, Inc., Burlington, MA, and in consideration of other information on file in this Office.

Certified By:

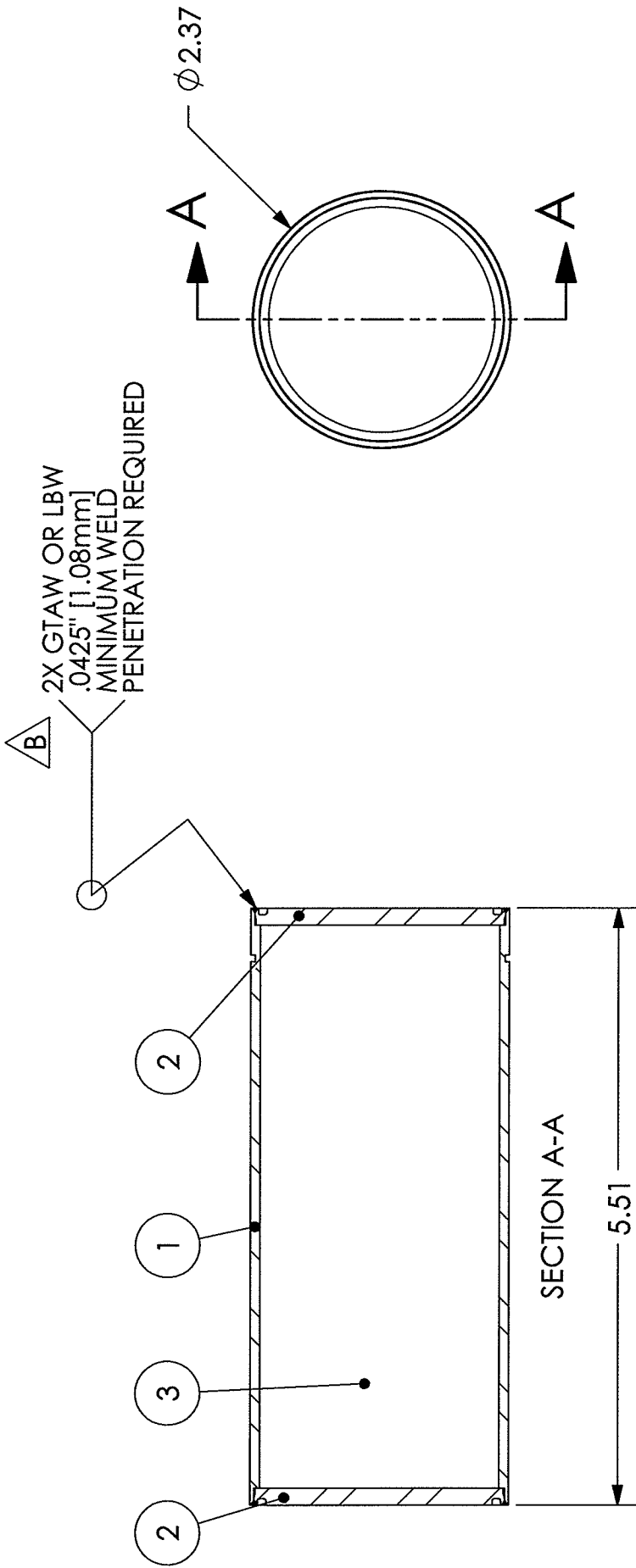


**May 13 2015**


(DATE)

 \_\_\_\_\_  
Dr. Magdy El-Sibaie  
Associate Administrator for Hazardous Materials Safety

Revision 1 - Issued to provide corrected dimensions and updated drawing.



NOTES:  
 1. STAINLESS STEEL, PLATINUM OR PLATINUM ALLOY CAPSULE(S) MAY BE PLACED WITHIN OUTER CAPSULE.

UNLESS OTHERWISE SPECIFIED: ALL DIMENSIONS ARE INCHES, TOLERANCE ±1/16		 40 NORTH AVE, BURLINGTON, MA 01803		<b>DESCRIPTIVE DRAWING</b>	
3	-	INNER CAPSULE(S)	-	ERF #	3248
2	2	LID, X9105/1 CAPSULE	STAINLESS STEEL	APPROVALS	<i>R. D. ...</i>
1	1	BODY, X9105/1 CAPSULE	STAINLESS STEEL	DATE	01 APR 2015
ITEM	QTY	TITLE	MATERIAL		1 Apr 15
TITLE			X9105/1		
DWG. NO.		RB004442-1			
SCALE:		NONE			
SHEET		1 OF 1			
REV		B			



U.S. Department  
of Transportation

East Building, PHH-23  
1200 New Jersey Avenue SE  
Washington, D.C. 20590

**Pipeline and  
Hazardous Materials  
Safety Administration**

**CERTIFICATE NUMBER:** USA/0807/S-96, Revision 1

**ORIGINAL REGISTRANT(S):**

Ms. Lori Podolak  
Manager, Regulatory Affairs/Quality Assurance  
QSA Global, Inc.  
40 North Avenue  
Burlington, MA 01803

Mr. Michael Fuller  
Regulatory Compliance Associate  
QSA Global, Inc.  
40 North Avenue  
Burlington, MA 01803

Ms. Thuquynh Dinh  
Regulatory Affairs/Quality Assurance  
QSA Global, Inc.  
40 North Avenue  
Burlington, MA 01803