



U.S. Department
of Transportation

Pipeline and
Hazardous Materials
Safety Administration

East Building, PHH-23
1200 New Jersey Ave, SE
Washington, D.C. 20590

IAEA CERTIFICATE OF COMPETENT AUTHORITY
SPECIAL FORM RADIOACTIVE MATERIALS

CERTIFICATE USA/0800/S-96, REVISION 1

This certifies that the source described has been demonstrated to meet the regulatory requirements for special form radioactive material as prescribed in the regulations of the International Atomic Energy Agency¹ and the United States of America² for the transport of radioactive material.

1. Source Identification - Source Production & Equipment Co., Inc. Special Form VSe-5x5.
2. Source Description - Cylindrical single encapsulation made of vanadium, laser seal welded and either coated with titanium aluminum nitride or plated with nickel. Approximate outer dimensions are 5.03 mm (0.198 in.) in diameter and 5.02 mm (0.198 in.) in length. Construction shall be in accordance with attached Source Production & Equipment Co., Inc., Drawing No. BS1249, Rev. 1.
3. Radioactive Contents - No more than 5.55 TBq (150 Ci) of Selenium-75. The Se-75 is in a solid metal alloy.
4. Management System Activities - Records of Management System activities required by Paragraph 306 of the IAEA regulations shall be maintained and made available to the authorized officials for at least three years after the last shipment authorized by this certificate. Consignors in the United States exporting shipments under this certificate shall satisfy the requirements of Subpart H of 10 CFR 71.
5. Expiration Date - This certificate expires on April 30, 2024. Previous editions which have not reached their expiration date may continue to be used.

¹ "Regulations for the Safe Transport of Radioactive Material, 2012 Edition, No. SSR-6" published by the International Atomic Energy Agency (IAEA), Vienna, Austria.

² Title 49, Code of Federal Regulations, Parts 100-199, United States of America.

CERTIFICATE USA/0800/S-96, REVISION 1


This certificate is issued in accordance with paragraph(s) 804 of the IAEA Regulations and Section 173.476 of Title 49 of the Code of Federal Regulations, in response to the April 5, 2019 petition by Source Production and Equipment Company, Inc., St. Rose, LA, and in consideration of other information on file in this Office.

Certified By:



April 26, 2019

(DATE)

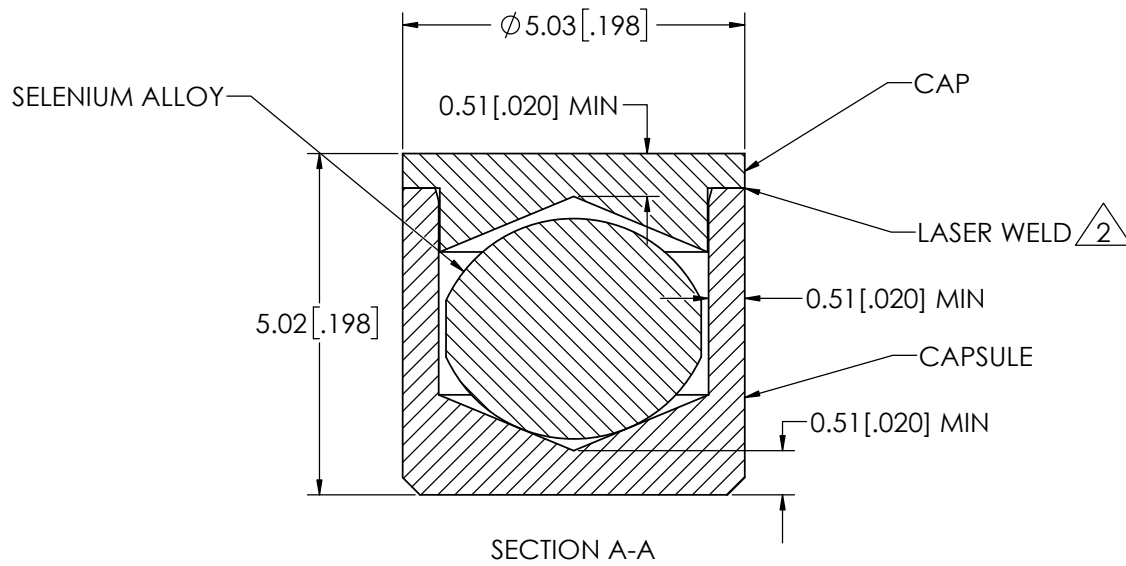
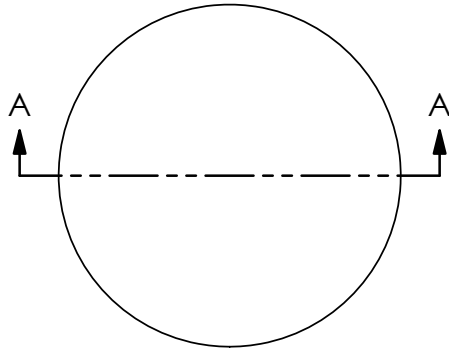
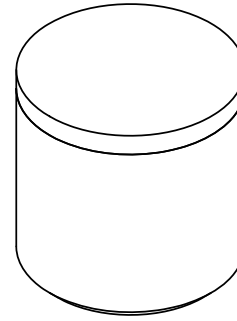
 William Schoonover
Associate Administrator for Hazardous
Materials Safety

Revision 1 - Issued to extend the expiration date, and to eliminate Selenium-75 in elemental form.

NOTE:

1. ALL DIMENSIONS AND VALUES IN BRACKETS ARE ENGLISH.
2. MINIMUM WELD PENETRATION OF .51 MM [.020 IN].
3. MATERIAL: VANADIUM COATED WITH TiAIN OR NICKEL (PLATING).
4. EITHER THE HEIGHT OR DIAMETER WILL BE AT LEAST 5.0 MM.

REVISIONS			
REV	DESCRIPTION	DATE	APPROVED



UNLESS OTHERWISE SPECIFIED DIMENSIONS ARE IN MILLIMETERS TOLERANCES ARE: .XX ±.25 [.010]	APPROVALS	DATE	SOURCE PRODUCTION & EQUIPMENT CO., INC. 113 TEAL ST, ST. ROSE, LA 70087	
	DRAWN WKM	4/19/19	VSe - 5 X 5	
	CHECKED MQ1	MQ1		
	APPROVED MQ1	MQ1		
TREATMENT NONE	SIZE C		DWG. NO. BS1249	REV 1
FINISH NONE	SCALE: NTS		BS124901	SHEET 1 OF 1
DO NOT SCALE DRAWING	QA CLASS	N/A		



U.S. Department of
Transportation

**Pipeline and
Hazardous Materials
Safety Administration**

East Building, PHH-23
1200 New Jersey Ave, SE
Washington, D.C. 20590

CERTIFICATE NUMBER: USA/0800/S-96

ORIGINAL REGISTRANT(S) :

Source Production and Equipment Company, Inc.
113 Teal Street
St. Rose, LA, 70087
USA