



U.S. Department  
of Transportation

Pipeline and  
Hazardous Materials  
Safety Administration

East Building, PHH-23  
1200 New Jersey Ave, SE  
Washington, D.C. 20590

IAEA CERTIFICATE OF COMPETENT AUTHORITY  
SPECIAL FORM RADIOACTIVE MATERIALS

CERTIFICATE USA/0796/S-96, REVISION 1

This certifies that the source described has been demonstrated to meet the regulatory requirements for special form radioactive material as prescribed in the regulations of the International Atomic Energy Agency<sup>1</sup> and the United States of America<sup>2</sup> for the transport of radioactive material.

1. Source Identification - Source Production & Equipment Co., Inc. Vanadium Selenium Alloy Special Form.
2. Source Description - Cylindrical single encapsulation made of commercially pure Vanadium, laser seal welded, and coated with Titanium Aluminum Nitride. Approximate outer dimensions are 5.75 mm (0.23 in.) in diameter and 6.25 mm (0.25 in.) in length. Construction shall be in accordance with attached Source Production & Equipment Co., Inc. Drawing No. BS1247, Rev. 3.
3. Radioactive Contents - No more than 5.55 TBq (150 Ci) of Selenium-75. The Se-75 is in the form of a solid metal alloy. The activity of Se-75 in special form may not be determined from a measurement of the rate of decay or a measurement of the radiation level at a prescribed distance from the source.
4. Management System Activities - Records of Management System activities required by Paragraph 306 of the IAEA regulations shall be maintained and made available to the authorized officials for at least three years after the last shipment authorized by this certificate. Consignors in the United States exporting shipments under this certificate shall satisfy the requirements of Subpart H of 10 CFR 71.

---

<sup>1</sup> "Regulations for the Safe Transport of Radioactive Material, 2012 Edition, No. SSR-6" published by the International Atomic Energy Agency (IAEA), Vienna, Austria.

<sup>2</sup> Title 49, Code of Federal Regulations, Parts 100-199, United States of America.

**CERTIFICATE USA/0796/S-96, REVISION 1**


5. Expiration Date - This certificate expires on June 30, 2023. Previous editions which have not reached their expiration date may continue to be used.

This certificate is issued in accordance with paragraph(s) 804 of the IAEA Regulations and Section 173.476 of Title 49 of the Code of Federal Regulations, in response to the March 16, 2018 petition by Source Production and Equipment Company, Inc., St. Rose, LA, and in consideration of other information on file in this Office.

Certified By:



September 27,  
2018

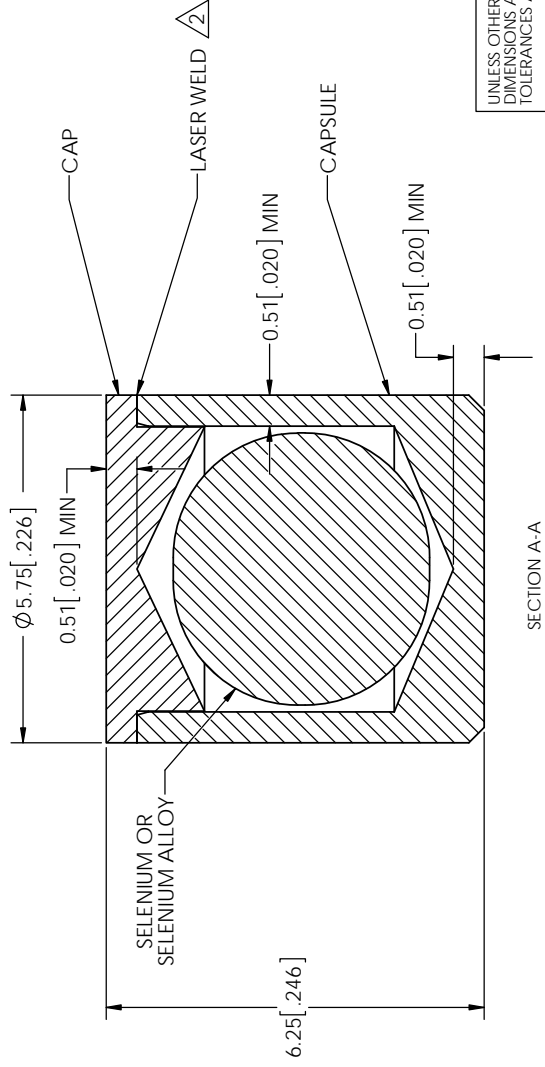
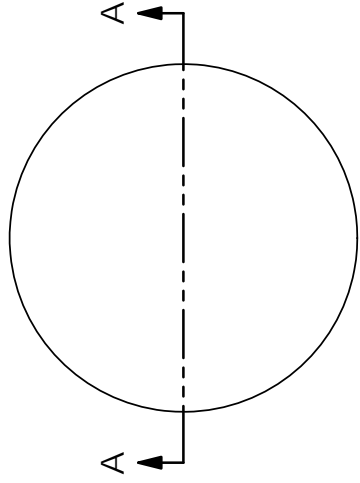
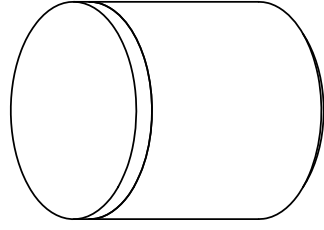
 William Schoonover  
Associate Administrator for Hazardous  
Materials Safety

\_\_\_\_\_  
(DATE)

Revision 1 - Issued to revise the Se-75 chemical form and to extend the expiration date.

NOTES:

1. ALL DIMENSIONS AND VALUES IN BRACKET ARE ENGLISH.
2. MINIMUM WELD PENETRATION OF 0.51 MM [.020 INCH].
3. MATERIAL: VANADIUM COATED WITH TIAIN.



REVISIONS

REV	DESCRIPTION	DATE	APPROVED
1-3	ALL CHANGES ARE IN MQ1	MO1	MO1

UNLESS OTHERWISE SPECIFIED DIMENSIONS ARE IN MILLIMETERS TOLERANCES ARE:		APPROVALS	DATE	SOURCE PRODUCTION & EQUIPMENT CO., INC. 113 TEAL ST., ST. ROSE, LA 70087	
	.XX±.25[.010]	DRAWN RP	9-27-13	VANADIUM SELENIUM ALLOY SPECIAL FORM	
		CHECKED MQ1	MO1	SIZE	DWG. NO.
		APPROVED MQ1	MO1	C	BS1247
TREATMENT	NONE			SCALE: NTS	BS124703
FINISH	NONE			OA CLASS	N/A
DO NOT SCALE DRAWING				REV	3
				SHEET 1 OF 1	



U.S. Department of  
Transportation

**Pipeline and  
Hazardous Materials  
Safety Administration**

East Building, PHH-23  
1200 New Jersey Ave, SE  
Washington, D.C. 20590

**CERTIFICATE NUMBER:** USA/0796/S-96

**ORIGINAL REGISTRANT(S) :**

Source Production and Equipment Company, Inc.  
113 Teal Street  
St. Rose, LA, 70087  
USA

Industrial Nuclear Company, Inc.  
14320 Wicks Blvd.  
San Leandro, CA, 94577  
USA