



U.S. Department
of Transportation

Pipeline and
Hazardous Materials
Safety Administration

East Building, PHH-23
1200 New Jersey Ave, SE
Washington, D.C. 20590

IAEA CERTIFICATE OF COMPETENT AUTHORITY
SPECIAL FORM RADIOACTIVE MATERIALS

CERTIFICATE USA/0786/S-96, REVISION 3

This certifies that the source described has been demonstrated to meet the regulatory requirements for special form radioactive material as prescribed in the regulations of the International Atomic Energy Agency¹ and the United States of America² for the transport of radioactive material.

1. Source Identification - Source Production & Equipment Co., Inc. Bulk Source Capsule.
2. Source Description - Cylindrical single encapsulation made of Type 410 stainless steel and tungsten inert gas seal welded. Approximate outer dimensions are 12.7 mm (0.5 in.) in diameter and 50.8 mm (2.0 in.) in length. Construction shall be in accordance with attached Source Production & Equipment Co., Inc. Drawing No. B170500, Rev. 0.
3. Radioactive Contents - No more than either 92.5 TBq (2,500 Ci) of Selenium-75, 185.0 TBq (5,000 Ci) of Iridium-192, or 1.0 TBq (27 Ci) of Ytterbium-169. The Se-75 is in a solid metal alloy sealed in primary Vanadium capsules. The Ir-192 is in solid metallic form. The Yb-169 is in the form of solid oxide pellets.
4. Management System Activities - Records of Management System activities required by Paragraph 306 of the IAEA regulations shall be maintained and made available to the authorized officials for at least three years after the last shipment authorized by this certificate. Consignors in the United States exporting shipments under this certificate shall satisfy the requirements of Subpart H of 10 CFR 71.

¹ "Regulations for the Safe Transport of Radioactive Material, 2012 Edition, No. SSR-6" published by the International Atomic Energy Agency (IAEA), Vienna, Austria.

² Title 49, Code of Federal Regulations, Parts 100-199, United States of America.

CERTIFICATE USA/0786/S-96, REVISION 3

5. Expiration Date - This certificate expires on April 30, 2024. Previous editions which have not reached their expiration date may continue to be used.

This certificate is issued in accordance with paragraph(s) 804 of the IAEA Regulations and Section 173.476 of Title 49 of the Code of Federal Regulations, in response to the April 22, 2019 petition by Source Production and Equipment Company, Inc., St. Rose, LA, and in consideration of other information on file in this Office.

Certified By:




May 01, 2019
(DATE)

WJS

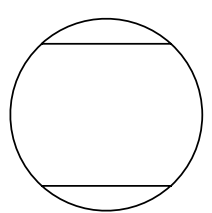
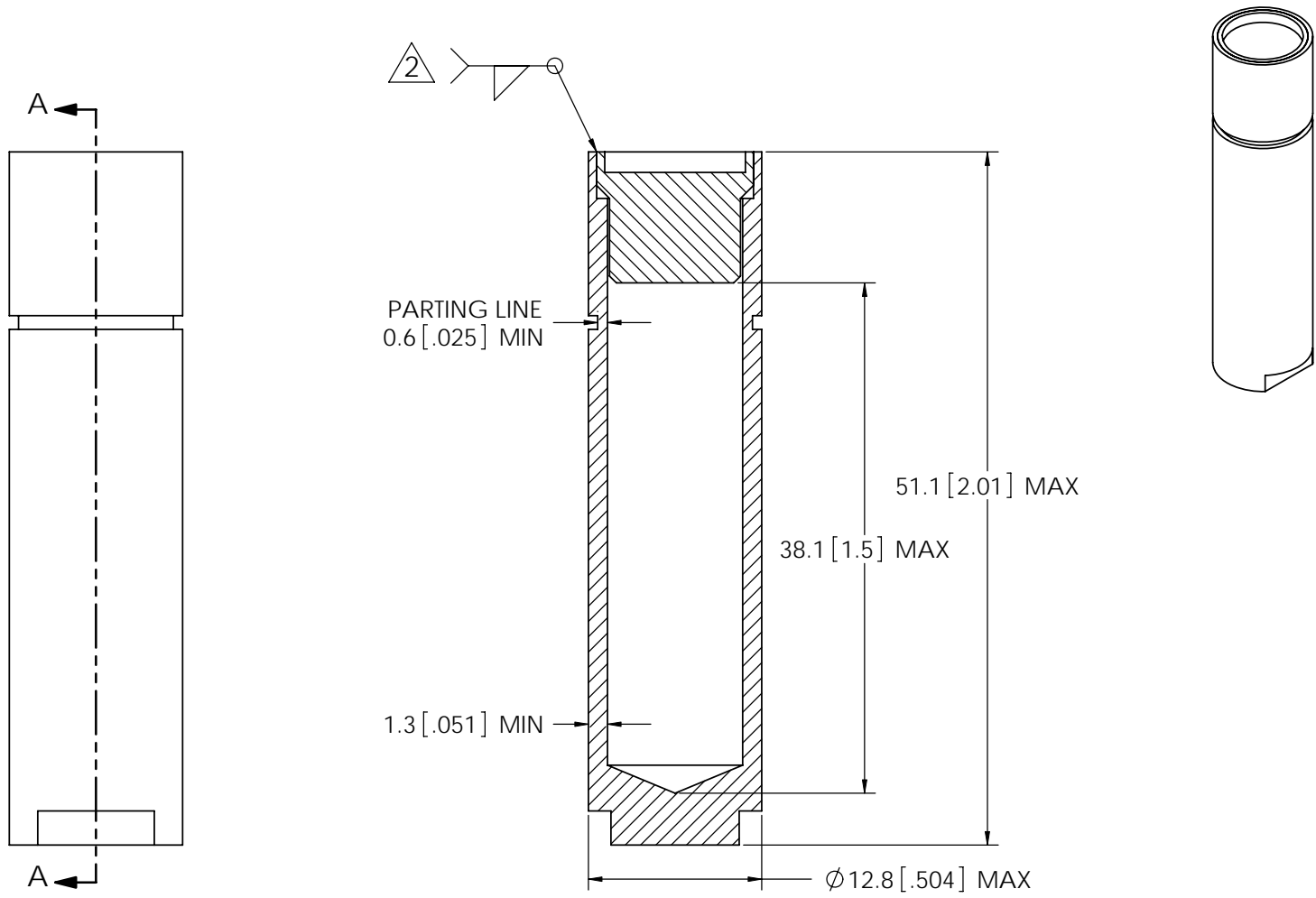
William Schoonover
Associate Administrator for Hazardous
Materials Safety

Revision 3 - Issued to extend the expiration date, and to eliminate Selenium-75 in elemental form.

NOTES:

- 1. MATERIAL IS 410 STAINLESS STEEL.
-  TIG WELD WITH MINIMUM 0.5 mm PENETRATION.

REVISIONS			
REV	DESCRIPTION	DATE	APPROVED



SECTION A-A

UNLESS OTHERWISE SPECIFIED
DIMENSIONS ARE IN MILLIMETERS
TOLERANCES ARE:

N/A	APPROVALS	DATE
TREATMENT	DRAWN KP	1-28-11
FINISH	CHECKED MQ1	MQ1
DO NOT SCALE DRAWING	APPROVED MQ1	MQ1

SOURCE PRODUCTION & EQUIPMENT CO., INC. 113 TEAL ST, ST. ROSE, LA 70087		
BULK SPECIAL FORM CAPSULE		
SIZE C	DWG. NO. B170500	REV 0
SCALE: NTS	B17050000	SHEET 1 OF 1



U.S. Department of
Transportation

**Pipeline and
Hazardous Materials
Safety Administration**

East Building, PHH-23
1200 New Jersey Ave, SE
Washington, D.C. 20590

CERTIFICATE NUMBER: USA/0786/S-96

ORIGINAL REGISTRANT(S) :

Source Production and Equipment Company, Inc.
113 Teal Street
St. Rose, LA, 70087
USA