



U.S. Department  
of Transportation

Pipeline and  
Hazardous Materials  
Safety Administration

East Building, PHH-23  
1200 New Jersey Ave, SE  
Washington, D.C. 20590

IAEA CERTIFICATE OF COMPETENT AUTHORITY  
SPECIAL FORM RADIOACTIVE MATERIALS

CERTIFICATE USA/0780/S-96, REVISION 2

This certifies that the source described has been demonstrated to meet the regulatory requirements for special form radioactive material as prescribed in the regulations of the International Atomic Energy Agency<sup>1</sup> and the United States of America<sup>2</sup> for the transport of radioactive material.

1. Source Identification - Eckert & Ziegler Isotope Products Model X131/4.
2. Source Description - Cylindrical single encapsulation made of monel, beryllium, and stainless steel that is brazed on one end and tungsten inert gas, electron beam, or laser welded (fusion welded) on the other end. Approximate outer dimensions are 10.9 mm (0.43 in.) in diameter and 5.2 mm (0.2 in.) in length. Minimum wall thickness is 0.95 mm (0.004 in.). Construction shall be in accordance with attached Eckert & Ziegler Isotope Products Drawing No. RBA61927, Rev. A.
3. Radioactive Contents - No more than 11.1 GBq (300 mCi) of an actinide (isotopes of Ac, Th, Pa, Np, U, Pu, Am, and Cm only). The actinides are in the form of an oxide or an oxide incorporated into a ceramic matrix.
4. Management System Activities - Records of Management System activities required by Paragraph 306 of the IAEA regulations shall be maintained and made available to the authorized officials for at least three years after the last shipment authorized by this certificate. Consignors in the United States exporting shipments under this certificate shall satisfy the requirements of Subpart H of 10 CFR 71.

---

<sup>1</sup> "Regulations for the Safe Transport of Radioactive Material, 2012 Edition, No. SSR-6" published by the International Atomic Energy Agency (IAEA), Vienna, Austria.

<sup>2</sup> Title 49, Code of Federal Regulations, Parts 100-199, United States of America.

**CERTIFICATE USA/0780/S-96, REVISION 2**


5. Expiration Date - This certificate expires on April 30, 2025. Previous editions which have not reached their expiration date may continue to be used.

This certificate is issued in accordance with paragraph(s) 804 of the IAEA Regulations and Section 173.476 of Title 49 of the Code of Federal Regulations, in response to the March 3, 2020 petition by Eckert & Ziegler Isotope Products, Valencia, CA, and in consideration of other information on file in this Office.

Certified By:

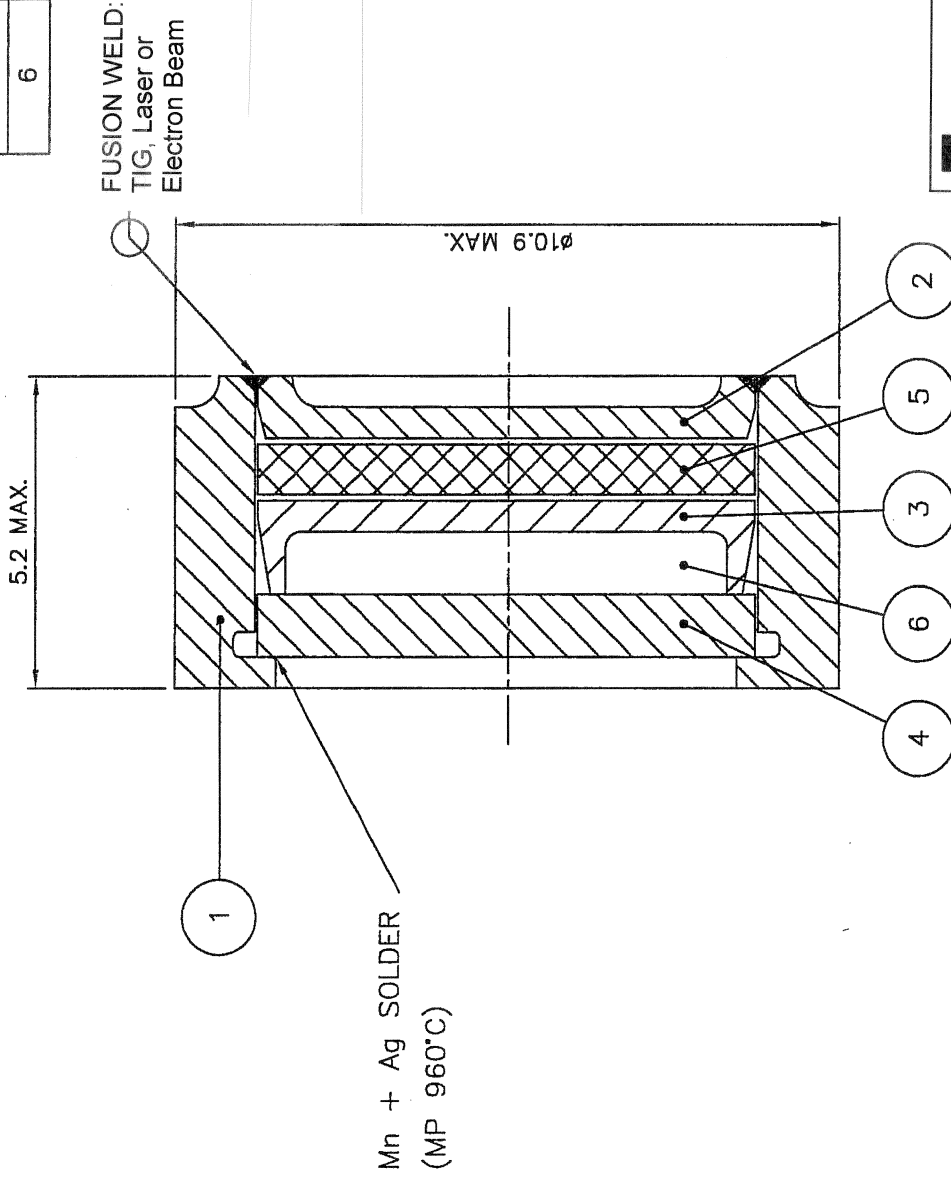


April 01, 2020  
(DATE)

 William Schoonover  
Associate Administrator for Hazardous  
Materials Safety

Revision 2 - Issued to extend the expiration date.

Item No.	Description	No. Off
1	BODY	1
2	LID	1
3	INSERT	1
4	WINDOW	1
5	BACKING PLUG	1
6	ACTIVE MATERIAL	A/R



**Eckert & Ziegler**  
**Isotope Products**  
 VALENCIA, CALIFORNIA 91355

DESCRIPTIVE  
DRAWING

TITLE X131/4 CAPSULE ASSEMBLY

SIZE A DWG. NO. RBA61927 SCALE: NONE SHEET 1 OF 1 REV A

APPROVALS	
<i>[Signature]</i>	31 Dec '05
<i>[Signature]</i>	3 Nov '05

DIMENSIONS IN MILLIMETERS  
UNLESS OTHERWISE STATED TOLERANCES:

X ±0.5  
XX ±0.1  
XXX ±0.05  
ANGULAR ±5°

INTERNAL  $\nabla$   
EXTERNAL  $\nabla$

ERF # 1178



U.S. Department of  
Transportation

**Pipeline and  
Hazardous Materials  
Safety Administration**

East Building, PHH-23  
1200 New Jersey Ave, SE  
Washington, D.C. 20590

**CERTIFICATE NUMBER:** USA/0780/S-96

**ORIGINAL REGISTRANT(S) :**

Eckert & Ziegler Isotope Products  
24937 Avenue Tibbitts  
Valencia, CA, 91355  
USA