



U.S. Department  
of Transportation

Pipeline and  
Hazardous Materials  
Safety Administration

IAEA CERTIFICATE OF COMPETENT AUTHORITY  
SPECIAL FORM RADIOACTIVE MATERIALS

CERTIFICATE USA/0767/S, REVISION 4

East Building, PHH-23  
1200 New Jersey Ave, SE  
Washington, D.C. 20590

This certifies that the source described has been demonstrated to meet the regulatory requirements for special form radioactive material as prescribed in the regulations of the International Atomic Energy Agency<sup>1</sup> and the United States of America<sup>2</sup> for the transport of radioactive material.

1. Source Identification - QSA Global, Inc. Model X.220 (Manufactured on or after April 1, 1981).
2. Source Description - Cylindrical double encapsulation made of stainless steel and tungsten inert gas seal welded. Approximate exterior dimensions are 9.14 mm (0.36 in.) in diameter and 14.73 mm (0.58 in.) in length. Minimum wall thickness of the outer encapsulation is 0.57 mm (0.02 in.). Construction shall be in accordance with attached AEA Technology QSA, Inc. Drawing No. RBA10036, Rev. A.
3. Radioactive Contents - No more than 4.6 GBq (124.2 mCi) of Americium-241 and 4.6 GBq (124.2 mCi) of Cesium-137. The Am-241 is in the form of an oxide mixed with a beryllium powder that is then pressed into a solid pellet. The Cs-137 is a cesium silicate formed in a glass matrix. Ceramic fiber packing material is inserted between the Am-241:Be and the Cs-137.
4. Management System Activities - Records of Management System activities required by Paragraph 306 of the IAEA regulations shall be maintained and made available to the authorized officials for at least three years after the last shipment authorized by this certificate. Consignors in the United States exporting shipments under this certificate shall satisfy the requirements of Subpart H of 10 CFR 71.

---

<sup>1</sup> "Regulations for the Safe Transport of Radioactive Material, 2018 Edition, No. SSR-6 (Rev. 1)" published by the International Atomic Energy Agency (IAEA), Vienna, Austria.

<sup>2</sup> Title 49, Code of Federal Regulations, Parts 100-199, United States of America.

**CERTIFICATE USA/0767/S, REVISION 4**

5. Expiration Date - This certificate expires on March 31, 2031. Previous editions which have not reached their expiration date may continue to be used.

This certificate is issued in accordance with paragraph(s) 804 of the IAEA Regulations and Section 173.476 of Title 49 of the Code of Federal Regulations, in response to the March 4, 2026 petition by QSA Global, Inc., Burlington, MA, and in consideration of other information on file in this Office.

Certified By:



---

William Quade  
Acting Associate Administrator for  
Hazardous Materials Safety

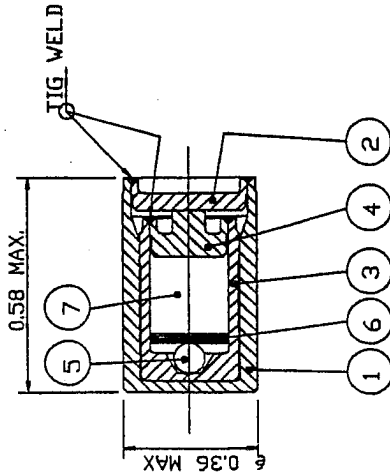
---

March 18, 2026  
(DATE)

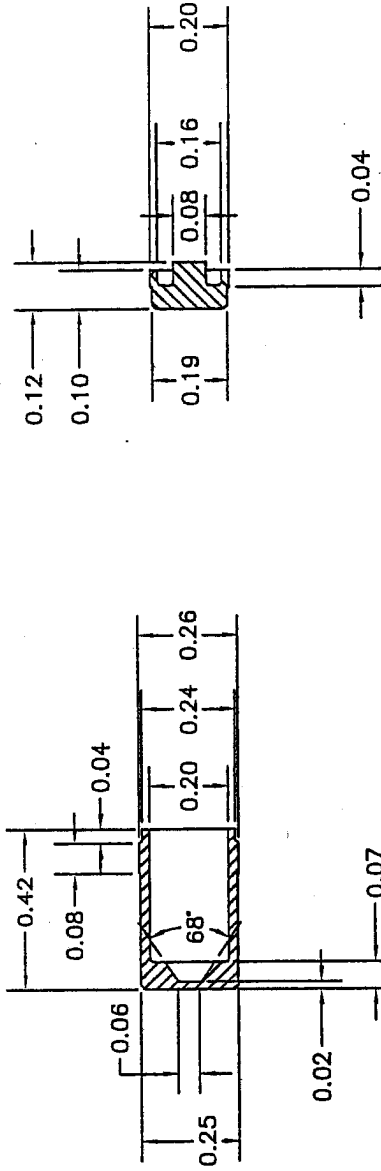
Revision 4 - Issued to endorse to 2018 edition of the IAEA Regulations for the Safe Transport of Radioactive Material, SSR-6 (Rev. 1) and to extend the expiration date.

Item No	Description	No off
1	SHEATH BODY STAINSTL.	1
2	SHEATH LID STAINSTL.	1
3	CELL BODY STAINSTL.	1
4	CELL LID STAINSTL.	1
5	0.08 DIA BEAD- SEE NOTE	1
6	CERAMIC FIBRE PACKING DISC	A/R
7	ACTIVE MATERIAL -AmBe	A/R

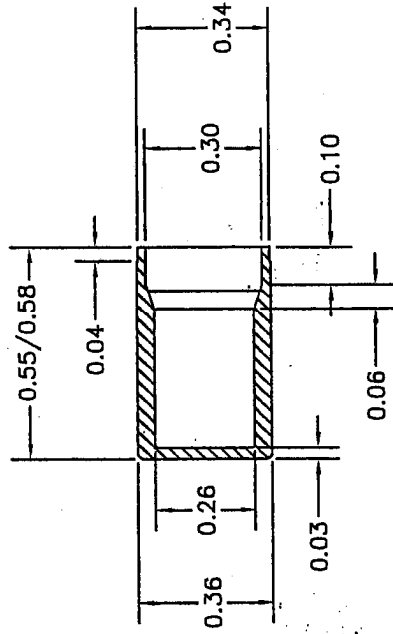
NOTE:  
ITEM 5 MATERIAL  
Cs-137 BONDED IN GLASS



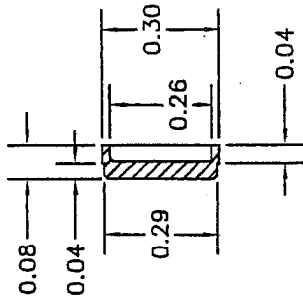
X220 ASSEMBLY



3 CELL BODY



1 SHEATH BODY



2 SHEATH LID

4 CELL LID

APPROVALS	
<i>R. Mann</i>	10 MAR 07
<i>L. P. DePa</i>	10 MAR 07

DIMENSIONS IN INCHES  
TOLERANCES:  
FRACTIONS ±1/32  
X ± 0.1  
XX ± 0.05  
XXX ± 0.005



DESCRIPTIVE  
DRAWING

TITLE	X220 CAPSULE ASSEMBLY	
SIZE	DWG. NO.	REV
A	RBA10036	A
SCALE:	NONE	SHEET 1 OF 1

ERF # 772



U.S. Department of  
Transportation

**Pipeline and  
Hazardous Materials  
Safety Administration**

East Building, PHH-23  
1200 New Jersey Ave, SE  
Washington, D.C. 20590

**CERTIFICATE NUMBER:** USA/0767/S-96

**ORIGINAL REGISTRANT(S) :**

QSA Global, Inc.  
40 North Avenue  
Burlington, MA, 01803  
USA

Troxler Electronic Laboratories  
3008 Cornwallis Road  
Research Triangle Park, NC, 27709  
USA