



U.S. Department
of Transportation

Pipeline and
Hazardous Materials
Safety Administration

East Building, PHH-23
1200 New Jersey Ave, SE
Washington, D.C. 20590

IAEA CERTIFICATE OF COMPETENT AUTHORITY
SPECIAL FORM RADIOACTIVE MATERIALS

CERTIFICATE USA/0736/S-96, REVISION 3

This certifies that the sources described have been demonstrated to meet the regulatory requirements for special form radioactive material as prescribed in the regulations of the International Atomic Energy Agency¹ and the United States of America² for the transport of radioactive material.

1. Source Identification - QSA Global, Inc. Models X2045 and X2045/1 (Manufactured on or after August 21, 1985).
2. Source Description - Cylindrical double encapsulations with a rectangular extension made of stainless steel and tungsten inert gas or laser seal welded. Approximate outer dimensions of the cylindrical sections are 17.0 mm (0.67 in.) in diameter and 12.4 mm (0.49 in.) in length. Approximate outer dimensions of the rectangular extensions are 38.0 mm (1.5 in.) in height, 19.0 mm (0.75 in.) in width, and 3.6 mm (0.14 in.) in depth. Minimum wall thickness of each encapsulation is 0.5 mm (0.02 in.). Construction shall be in accordance with attached AEA Technology QSA, Inc. Drawing No. RBA61574, Rev. A.
3. Radioactive Contents - No more than 74.0 GBq (2.0 Ci) of Strontium-90. The Sr-90 is in the form of a ceramic enamel.
4. Management System Activities - Records of Management System activities required by Paragraph 306 of the IAEA regulations shall be maintained and made available to the authorized officials for at least three years after the last shipment authorized by this certificate. Consignors in the United States exporting shipments under this certificate shall satisfy the requirements of Subpart H of 10 CFR 71.

¹ "Regulations for the Safe Transport of Radioactive Material, 2012 Edition, No. SSR-6" published by the International Atomic Energy Agency (IAEA), Vienna, Austria.

² Title 49, Code of Federal Regulations, Parts 100-199, United States of America.

CERTIFICATE USA/0736/S-96, REVISION 3


5. Expiration Date - This certificate expires on October 31, 2025. Previous editions which have not reached their expiration date may continue to be used.

This certificate is issued in accordance with paragraph(s) 804 of the IAEA Regulations and Section 173.476 of Title 49 of the Code of Federal Regulations, in response to the October 1, 2020 petition by QSA Global, Inc., Burlington, MA, and in consideration of other information on file in this Office.

Certified By:



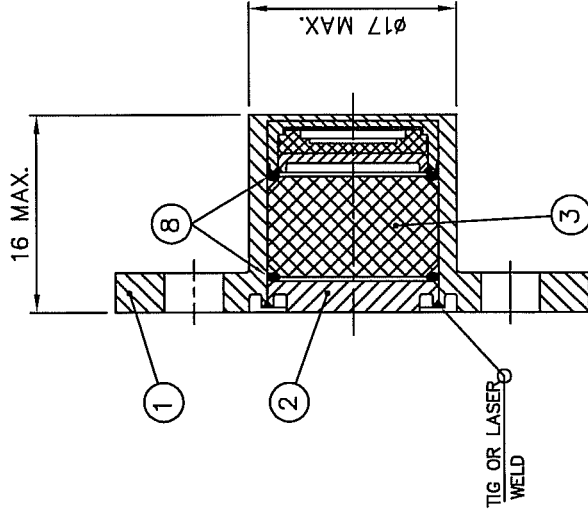
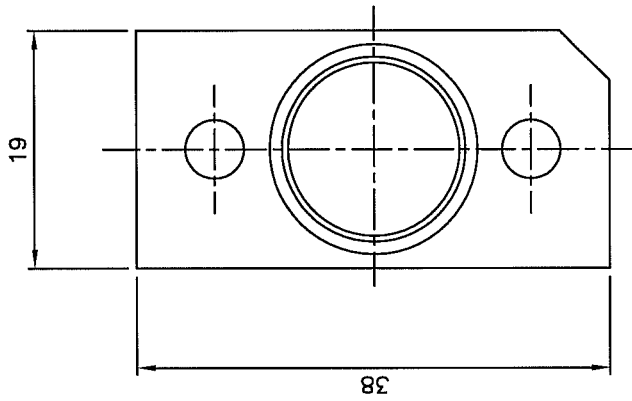
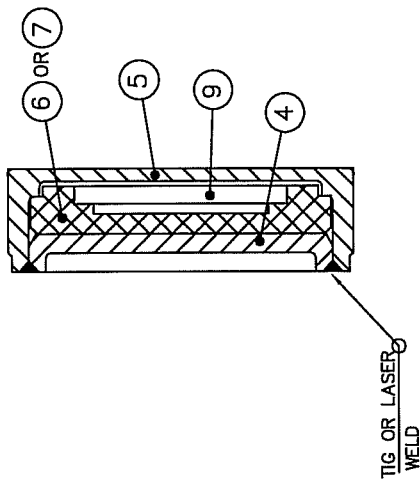
October 22, 2020
(DATE)

 William Schoonover
Associate Administrator for Hazardous
Materials Safety

Revision 3 - Issued to extend the expiration date.

ITEM	DESCRIPTION	No off
1	SHEATH BODY	1
2	SHEATH LID	1
3	PLUG	1
4	CELL LID	1
5	CELL BODY	1
6	INSERT (X2045)	1
7	INSERT (X2045/1 & VZ-2529) PLATINUM	1
8	PACKING RING	2
9	ACTIVE MATERIAL	A/R

CELL DETAIL
SCALE 2:1



APPROVALS	
<i>D. Pina</i>	17 Apr '06
<i>L. P. ...</i>	18 Apr '06

DIMENSIONS IN MILLIMETERS
UNLESS OTHERWISE STATED TOLERANCES:

X	±0.5	N7
X.X	±0.12	INTERNAL N7
X.XX	±0.06	EXTERNAL N7
ANGULAR	±5°	

DESCRIPTIVE
DRAWING

TITLE X2045 & X2045/1 (VZ-2529)
CAPSULE ASSEMBLY

SIZE	DWG. NO. RBA61574	REV	A
SCALE:	NONF	SHEET	1 OF 1

ERF # 1334



U.S. Department of
Transportation

**Pipeline and
Hazardous Materials
Safety Administration**

East Building, PHH-23
1200 New Jersey Ave, SE
Washington, D.C. 20590

CERTIFICATE NUMBER: USA/0736/S-96

ORIGINAL REGISTRANT(S) :

QSA Global, Inc.
30 North Avenue
Burlington, MA, 01803
USA