



U.S. Department
of Transportation

Pipeline and
Hazardous Materials
Safety Administration

East Building, PHH-23
1200 New Jersey Ave, SE
Washington, D.C. 20590

IAEA CERTIFICATE OF COMPETENT AUTHORITY
SPECIAL FORM RADIOACTIVE MATERIALS

CERTIFICATE USA/0727/S-96, REVISION 3

This certifies that the source described has been demonstrated to meet the regulatory requirements for special form radioactive material as prescribed in the regulations of the International Atomic Energy Agency¹ and the United States of America² for the transport of radioactive material.

1. Source Identification - QSA Global, Inc. Model X95 (Manufactured on or after May 15, 1981).
2. Source Description - Cylindrical single encapsulation made of stainless steel and tungsten inert gas or laser seal welded. Approximate outer dimensions are 45.5 mm (1.79 in.) in diameter and 8.3 mm (0.33 in.) in length. Minimum wall thickness is 0.25 mm (0.01 in.). Construction shall be in accordance with attached AEA Technology QSA, Inc. Drawing No. RBA11079, Rev. A.
3. Radioactive Contents - No more than 370.0 GBq (10.0 Ci) of Americium-241. The Am-241 is in the form of an oxide incorporated into a ceramic matrix.
4. Management System Activities - Records of Management System activities required by Paragraph 306 of the IAEA regulations shall be maintained and made available to the authorized officials for at least three years after the last shipment authorized by this certificate. Consignors in the United States exporting shipments under this certificate shall satisfy the requirements of Subpart H of 10 CFR 71.
5. Expiration Date - This certificate expires on June 30, 2025. Previous editions which have not reached their expiration date may continue to be used.

¹ "Regulations for the Safe Transport of Radioactive Material, 2012 Edition, No. SSR-6" published by the International Atomic Energy Agency (IAEA), Vienna, Austria.

² Title 49, Code of Federal Regulations, Parts 100-199, United States of America.

CERTIFICATE USA/0727/S-96, REVISION 3

This certificate is issued in accordance with paragraph(s) 804 of the IAEA Regulations and Section 173.476 of Title 49 of the Code of Federal Regulations, in response to the May 1, 2020 petition by QSA Global, Inc., Burlington, MA, and in consideration of other information on file in this Office.

Certified By:



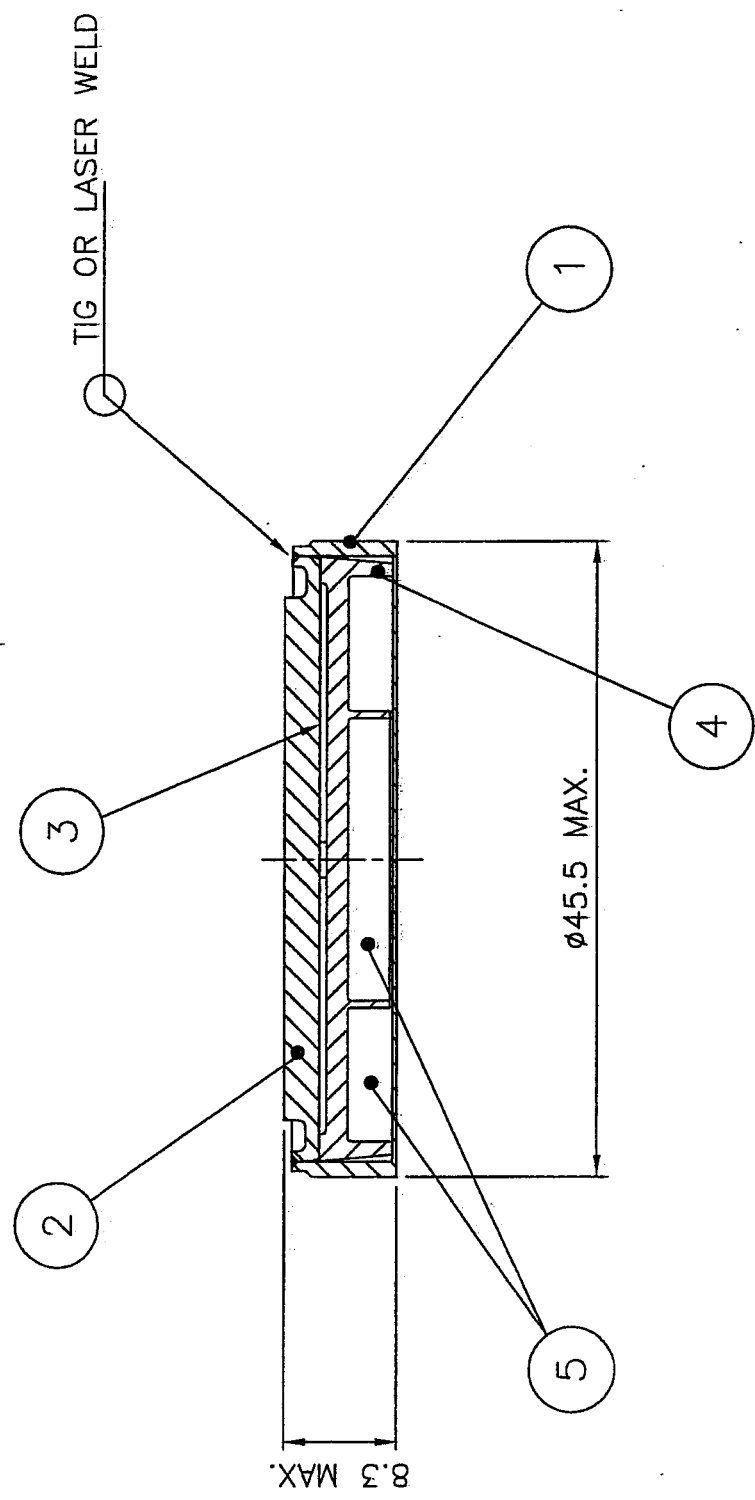
June 04, 2020

(DATE)

 William Schoonover
Associate Administrator for Hazardous
Materials Safety

Revision 3 - Issued to extend the expiration date.

| Item | Description | Material | QTY |
|------|-----------------|-----------------|-----|
| 1 | BODY | STAINLESS STEEL | 1 |
| 2 | LID | STAINLESS STEEL | 1 |
| 3 | GASKET | COPPER | 1 |
| 4 | INSERT | STAINLESS STEEL | 1 |
| 5 | ACTIVE MATERIAL | | |



NOTES:
 1. DIMENSIONS ARE IN mm.
 X ±0.5
 X.X ±0.2
 X.XX ±0.10

| APPROVALS | DATE |
|--------------------|----------|
| <i>[Signature]</i> | 12/06/06 |
| <i>[Signature]</i> | 1/27/06 |

UNLESS OTHERWISE SPECIFIED
 DIMENSIONS IN INCHES
 TOLERANCES:
 FRACTIONS ± 1/8
 X.X ± 0.12
 X.XX ± 0.06
 X.XXX ± 0.020

AEATECHNOLOGY
 OSA
 40 NORTH AVE. BURLINGTON, MA 01803

DESCRIPTIVE
DRAWING

| | | |
|----------------------------|-------------------|--------------|
| TITLE X95 CAPSULE ASSEMBLY | | REV A |
| SIZE A | DWG. NO. RBA11079 | SHEET 1 OF 1 |
| SCALE: NTS | | |

ERF # 1206



U.S. Department of
Transportation

**Pipeline and
Hazardous Materials
Safety Administration**

East Building, PHH-23
1200 New Jersey Ave, SE
Washington, D.C. 20590

CERTIFICATE NUMBER: USA/0727/S-96

ORIGINAL REGISTRANT(S) :

QSA Global, Inc.
30 North Avenue
Burlington, MA, 01803
USA

Department of Energy
U.S. Department of Energy
1000 Independence Ave, SW
EM-60
Washington, DC, 20585
USA