



U.S. Department
of Transportation
**Pipeline and
Hazardous Materials
Safety Administration**

**IAEA CERTIFICATE OF COMPETENT AUTHORITY
SPECIAL FORM RADIOACTIVE MATERIALS
CERTIFICATE USA/0708/S-96, REVISION 2**

East Building, PHH-23
1200 New Jersey Avenue Southeast
Washington, D.C. 20590

This certifies that the sources described have been demonstrated to meet the regulatory requirements for special form radioactive material as prescribed in the regulations of the International Atomic Energy Agency¹ and the United States of America² for the transport of radioactive material.

1. Source Identification - QSA Global, Inc. Models X11 and X11/1 Capsules (Both models manufactured on or after May 31, 1979).
2. Source Description - Cylindrical single encapsulations made of stainless steel and tungsten inert gas or laser seal welded. Approximate outer dimensions are 11.0 mm (0.43 in.) in diameter and 5.3 mm (0.21 in.) in length. Minimum wall thickness is 0.2 mm (0.008 in.). Construction shall be in accordance with attached AEA Technology QSA, Inc. Drawing No. RBA11089, Rev. A.
3. Radioactive Contents - No more than 11.1 GBq (300.0 mCi) of Americium-241. The Am-241 is in the form of an oxide incorporated into a ceramic enamel.
4. Quality Assurance - Records of Quality Assurance activities required by Paragraph 310 of the IAEA regulations¹ shall be maintained and made available to the authorized officials for at least three years after the last shipment authorized by this certificate. Consignors in the United States exporting shipments under this certificate shall satisfy the applicable requirements of Subpart H of 10 CFR 71.
5. Expiration Date - This certificate expires on February 28, 2020.

¹ "Regulations for the Safe Transport of Radioactive Material, 1996 Edition (Revised), No. TS-R-1 (ST-1, Revised)," published by the International Atomic Energy Agency (IAEA), Vienna, Austria.

² Title 49, Code of Federal Regulations, Parts 100-199, United States of America.

CERTIFICATE USA/0708/S-96, REVISION 2

This certificate is issued in accordance with paragraph 804 of the IAEA Regulations and Section 173.476 of Title 49 of the Code of Federal Regulations, in response to the January 16, 2015 petition by QSA Global, Inc., Burlington, MA, and in consideration of other information on file in this Office.

Certified By:



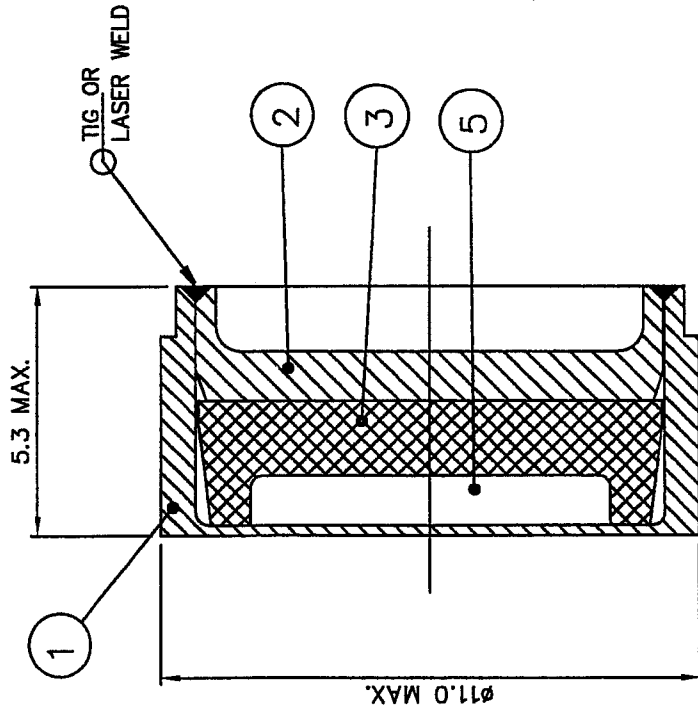
Dr. Magdy El-Sibaie
Associate Administrator for Hazardous Materials Safety

Mar 06 2015

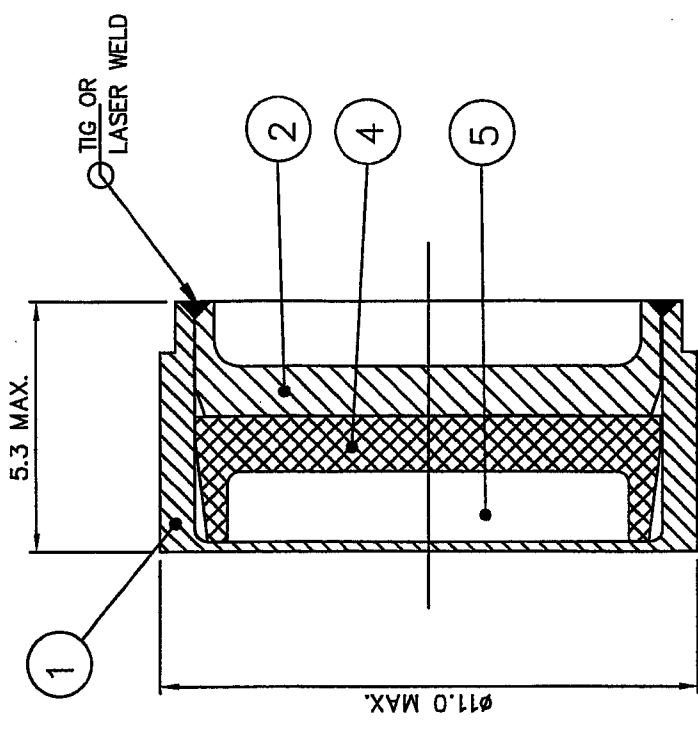
(DATE)

Revision 2 - Issued to extend the expiration date.

Item No	Description	No off
1	BODY STAIN.STL.	1
2	LID STAIN.STL.	1
3	X11 INSERT TUNGSTEN ALLOY	1
4	X11/1 INSERT TUNGSTEN ALLOY	1
5	ACTIVE MATERIAL	A/R



X11 CAPSULE ASSEMBLY



X11/1 CAPSULE ASSEMBLY

 40 NORTH AVE. BURLINGTON, MA 01803		DESCRIPTIVE DRAWING	
TITLE X11 AND X11/1 CAPSULE ASSEMBLY		REV A	
SIZE A		DWG. NO. RBA11089	
SCALE: NONE		SHEET 1 OF 1	
APPROVALS <i>h. daw</i> <i>J.P. P. P. P.</i>		<i>Stalos</i> <i>10 Marge</i>	
DIMENSIONS IN MILLIMETERS UNLESS OTHERWISE STATED TOLERANCES: X.X ±0.5 X.XX ±0.3 X.XXX ±0.05 ANGULAR ±5°		INTERNAL <input checked="" type="checkbox"/> ∇ EXTERNAL <input checked="" type="checkbox"/> ∇	
ERF # 1054			



U.S. Department
of Transportation

East Building, PHH-23
1200 New Jersey Avenue SE
Washington, D.C. 20590

**Pipeline and
Hazardous Materials
Safety Administration**

CERTIFICATE NUMBER: USA/0708/S-96, Revision 2

ORIGINAL REGISTRANT(S):

Ms. Lori Podolak
Manager, Regulatory Affairs/Quality Assurance
QSA Global, Inc.
40 North Avenue
Burlington, MA 01803

Mr. Michael Fuller
Regulatory Compliance Associate
QSA Global, Inc.
40 North Avenue
Burlington, MA 01803

Ms. Thuquynh Dinh
Regulatory Affairs/Quality Assurance
QSA Global, Inc.
40 North Avenue
Burlington, MA 01803

REGISTERED USER(S):

Ms. Elizabeth Foltz
Manager, Global Radiation and Explosives Safety
Halliburton
3000 North Sam Houston Parkway, East
Houston, 77032
USA

Mr. Steve Woods
Global Radiation and Explosives Safety
Halliburton
1015 W Bois D Arc Ave
Duncan, OK 73536

Mr. Neil Walters
Global Radiation and Explosives Safety
Halliburton
3300 N. Sam Houston Parkway East
Houston, TX 77032

Ms. Jill Mead
Global RSO
Halliburton
3000 North Sam Houston Parkway, East
Houston, 77032
USA