



U.S. Department
of Transportation
**Pipeline and
Hazardous Materials
Safety Administration**

**IAEA CERTIFICATE OF COMPETENT AUTHORITY
SPECIAL FORM RADIOACTIVE MATERIALS
CERTIFICATE USA/0705/S-96, REVISION 2**

East Building, PHH-23
1200 New Jersey Avenue Southeast
Washington, D.C. 20590

This certifies that the source described has been demonstrated to meet the regulatory requirements for special form radioactive material as prescribed in the regulations of the International Atomic Energy Agency¹ and the United States of America² for the transport of radioactive material.

1. Source Identification - QSA Global, Inc. Model XN28 (Manufactured on or after September 21, 1996).
2. Source Description - Rectangular double encapsulation with a cylindrical extension made of stainless steel and tungsten inert gas or laser seal welded. Approximate outer dimensions are 22.3 mm (0.88 in.) in height, 25.4 mm (1.0 in.) in width, and 10.2 mm (0.4 in.) in overall depth. Minimum wall thickness of the outer encapsulation is 0.04 mm (0.002 in.). Construction shall be in accordance with attached AEA Technology QSA, Inc. Drawing Number RBA10236, Rev. B.
3. Radioactive Contents - No more than 18.5 GBq (0.5 Ci) of Strontium-90. The Sr-90 is in the form of a ceramic enamel.
4. Quality Assurance - Records of Quality Assurance activities required by Paragraph 310 of the IAEA regulations¹ shall be maintained and made available to the authorized officials for at least three years after the last shipment authorized by this certificate. Consignors in the United States exporting shipments under this certificate shall satisfy the applicable requirements of Subpart H of 10 CFR 71.
5. Expiration Date - This certificate expires on September 30, 2019.

¹ "Regulations for the Safe Transport of Radioactive Material, 1996 Edition (Revised), No. TS-R-1 (ST-1, Revised)," published by the International Atomic Energy Agency(IAEA), Vienna, Austria.

² Title 49, Code of Federal Regulations, Parts 100-199, United States of America.

CERTIFICATE USA/0705/S-96, REVISION 2

This certificate is issued in accordance with paragraph 804 of the IAEA Regulations and Section 173.476 of Title 49 of the Code of Federal Regulations, in response to the September 02, 2014 petition by QSA Global, Inc., Burlington, MA, and in consideration of other information on file in this Office.

Certified By:



Sep 19 2014

(DATE)

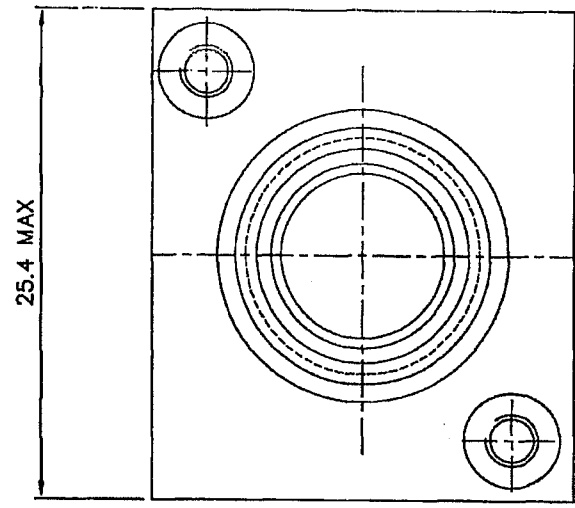
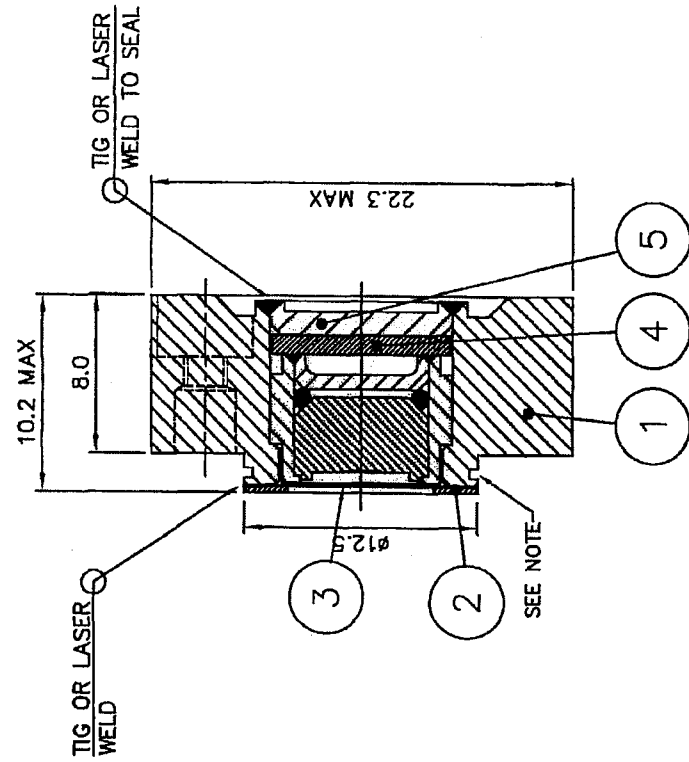
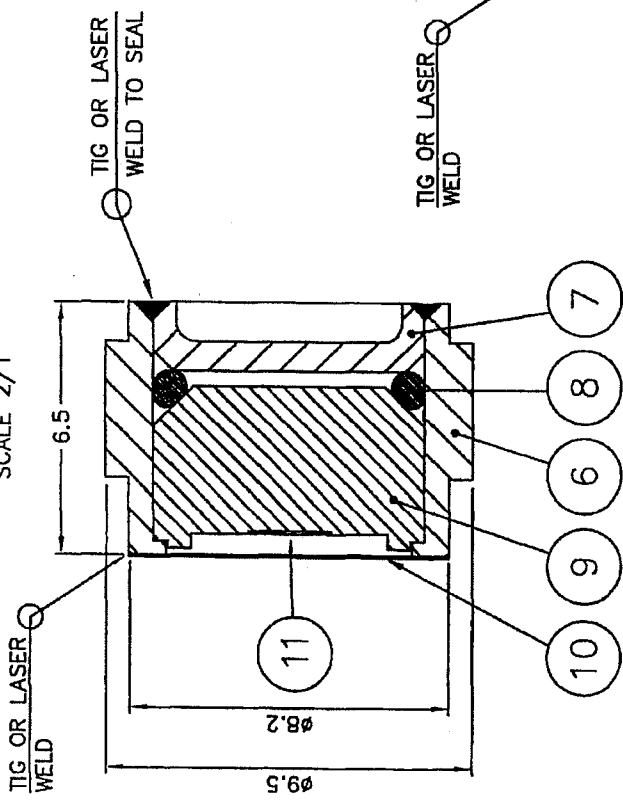
Dr. Magdy El-Sibaie

Associate Administrator for Hazardous Materials Safety

Revision 2 - Issued to extend the expiration date.

ITEM	DESCRIPTION	QTY
1	SHEATH BODY	1
2	WINDOW FRAME	1
3	SHEATH WINDOW	1
4	SHEATH GASKET	1
5	SHEATH LID	1
6	CELL BODY	1
7	CELL LID	1
8	CELL GASKET	1
9	CELL INSERT	A/R
10	CELL WINDOW	1
11	ACTIVE MATERIAL	A/R

ENLARGED CELL DETAIL
SCALE 2/1



NOTE: RECESS NOT PRESENT ON ALL CAPSULES

APPROVALS	
<i>[Signature]</i>	3/2/01
<i>[Signature]</i>	7 Mar 05

DIMENSIONS IN MILLIMETERS
UNLESS OTHERWISE STATED TOLERANCES:

X ±0.5
X.X ±0.1
X.XX ±0.05
ANGULAR ±5

INTERNAL M
EXTERNAL M



DESCRIPTIVE
DRAWING

TITLE XN28 CAPSULE ASSEMBLY

SIZE DWG. NO. RBA10236

SCALE: NONE SHEET 1 OF 1

ERF # 1008

REV B