



U.S. Department
of Transportation
**Pipeline and
Hazardous Materials
Safety Administration**

**IAEA CERTIFICATE OF COMPETENT AUTHORITY
SPECIAL FORM RADIOACTIVE MATERIALS
CERTIFICATE USA/0682/S-96, REVISION 2**

East Building, PHH-23
1200 New Jersey Avenue Southeast
Washington, D.C. 20590

This certifies that the source described has been demonstrated to meet the regulatory requirements for special form radioactive material as prescribed in the regulations of the International Atomic Energy Agency¹ and the United States of America² for the transport of radioactive material.

1. Source Identification - QSA Global, Inc. Model XN294/XN295 (Manufactured on or after August 20, 1981).
2. Source Description - Cylindrical double encapsulation made of stainless steel and tungsten inert gas or laser seal welded. Approximate exterior dimensions are 27.9 mm (1.1 in.) maximum diameter and 134.6 mm (5.3 in.) in length. Construction shall be in accordance with attached AEA Technology QSA, Inc. Drawing No. RBA61144, Rev. A.
3. Radioactive Contents - No more than 925.0 GBq (25.0 Ci) of Americium-241. The Am-241 is in the form of an oxide mixed with a beryllium powder that is then pressed into a solid pellet.
4. Quality Assurance - Records of Quality Assurance activities required by Paragraph 310 of the IAEA regulations¹ shall be maintained and made available to the authorized officials for at least three years after the last shipment authorized by this certificate. Consignors in the United States exporting shipments under this certificate shall satisfy the applicable requirements of Subpart H of 10 CFR 71.
5. Expiration Date - This certificate expires on May 31, 2019.

¹ "Regulations for the Safe Transport of Radioactive Material, 1996 Edition (Revised), No. TS-R-1 (ST-1, Revised)," published by the International Atomic Energy Agency (IAEA), Vienna, Austria.

² Title 49, Code of Federal Regulations, Parts 100-199, United States of America.

CERTIFICATE USA/0682/S-96, REVISION 2


This certificate is issued in accordance with paragraph 804 of the IAEA Regulations and Section 173.476 of Title 49 of the Code of Federal Regulations, in response to the May 13, 2014 petition by QSA Global, Inc., Burlington, MA, and in consideration of other information on file in this Office.

Certified By:



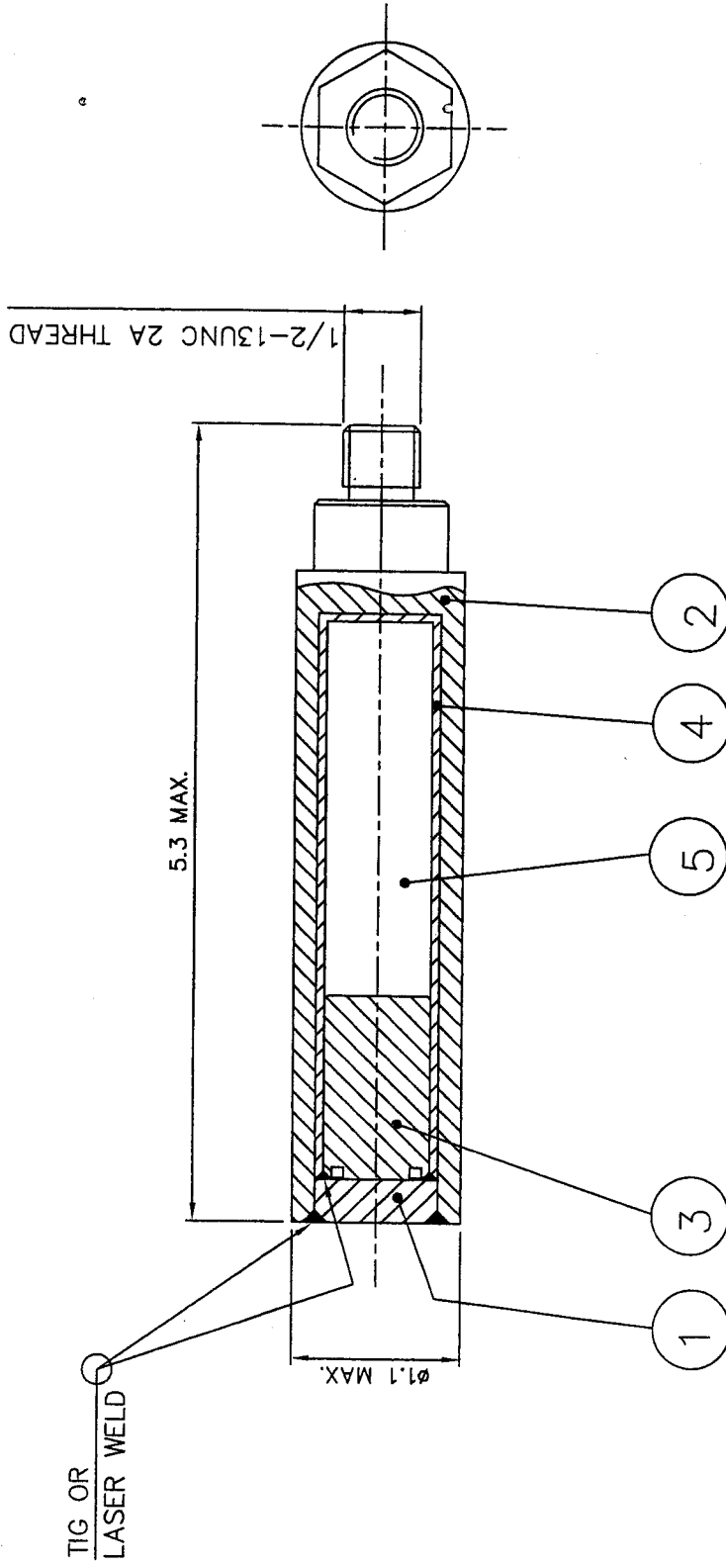
May 19 2014


(DATE)

 _____
Dr. Magdy El-Sibaie
Associate Administrator for Hazardous Materials Safety

Revision 2 - Issued to extend the expiration date.

| ITEM | DESCRIPTION | QTY |
|------|----------------------------|-----|
| 1 | SHEATH LID STAIN. STL. | 1 |
| 2 | SHEATH BODY STAIN. STL. | 1 |
| 3 | CELL LID STAIN. STL. | 1 |
| 4 | CELL BODY STAIN. STL. | 1 |
| 5 | ACTIVE MATERIAL | A/R |



| | | | |
|--|--|---------------------------------------|--|
|  | | DESCRIPTIVE DRAWING | |
| APPROVALS <i>R. J. [Signature]</i> 7/24/04 <i>[Signature]</i> 7/24/04 | | TITLE XN294/XN295 CAPSULE ASSEMBLY | |
| DIMENSIONS IN INCHES UNLESS OTHERWISE STATED TOLERANCES: X ±0.5 X.X ±0.1 X.XX ±0.05 ANGULAR ±5° | | SIZE A | |
| INTERNAL $\frac{M}{N}$ EXTERNAL $\frac{M}{N}$ | | DWG. NO. RBA61144 | |
| ERF # 891 | | SCALE: NONE | |
| | | SHEET 1 OF 1 | |

891



U.S. Department
of Transportation

East Building, PHH-23
1200 New Jersey Avenue SE
Washington, D.C. 20590

**Pipeline and
Hazardous Materials
Safety Administration**

CERTIFICATE NUMBER: USA/0682/S-96, Revision 2

ORIGINAL REGISTRANT(S):

Ms. Lori Podolak
Manager, Regulatory Affairs/Quality Assurance
QSA Global, Inc.
40 North Avenue
Burlington, MA 01803

Mr. Michael Fuller
Regulatory Compliance Associate
QSA Global, Inc.
40 North Avenue
Burlington, MA 01803

Jake Edelman
Health Physicist
QSA Global, Inc.
40 North Avenue
Burlington, MA 01803