



U.S. Department
of Transportation
**Pipeline and
Hazardous Materials
Safety Administration**

**IAEA CERTIFICATE OF COMPETENT AUTHORITY
SPECIAL FORM RADIOACTIVE MATERIALS
CERTIFICATE USA/0624/S-96, REVISION 4**

East Building, PHH-23
1200 New Jersey Avenue Southeast
Washington, D.C. 20590

This certifies that the source described has been demonstrated to meet the regulatory requirements for special form radioactive material as prescribed in the regulations of the International Atomic Energy Agency¹ and the United States of America² for the transport of radioactive material.

1. Source Identification - QSA Global, Inc. Model No. X.2 (Manufactured on or after July 17, 1980).
2. Source Description - Cylindrical double encapsulation made of stainless steel and tungsten inert gas or laser seal welded. Approximate outer dimensions are 17.4 mm (0.69 in.) in diameter and 19.2 mm (0.76 in.) in length. Minimum sheath wall thickness is 0.8 mm (0.03 in.) and cell body minimum thickness is 0.85 mm (0.03 in.). Construction shall be in accordance with attached AEA Technology QSA, Inc. Drawing No. RBA11001, Rev. A.
3. Radioactive Contents - No more than either 74.0 GBq (2.0 Ci) of Americium-241 or 18.5 TBq (500.0 Ci) of Promethium-147. The Am-241 is in oxide form and mixed with beryllium and pressed into a solid pellet. The Pm-147 is in oxide form and pressed into a solid pellet.
4. Quality Assurance - Records of Quality Assurance activities required by Paragraph 310 of the IAEA regulations¹ shall be maintained and made available to the authorized officials for at least three years after the last shipment authorized by this certificate. Consignors in the United States exporting shipments under this certificate shall satisfy the applicable requirements of Subpart H of 10 CFR 71.
5. Expiration Date - This certificate expires on August 31, 2022.

¹ "Regulations for the Safe Transport of Radioactive Material, 1996 Edition (Revised), No. TS-R-1 (ST-1, Revised)," published by the International Atomic Energy Agency (IAEA), Vienna, Austria.

² Title 49, Code of Federal Regulations, Parts 100-199, United States of America.


CERTIFICATE USA/0624/S-96, REVISION 4

This certificate is issued in accordance with paragraph 804 of the IAEA Regulations and Section 173.476 of Title 49 of the Code of Federal Regulations, in response to the July 06, 2017 petition by QSA Global, Inc., Burlington, MA, and in consideration of other information on file in this Office.

Certified By:

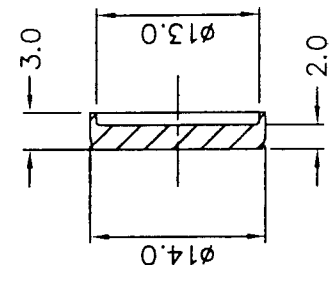
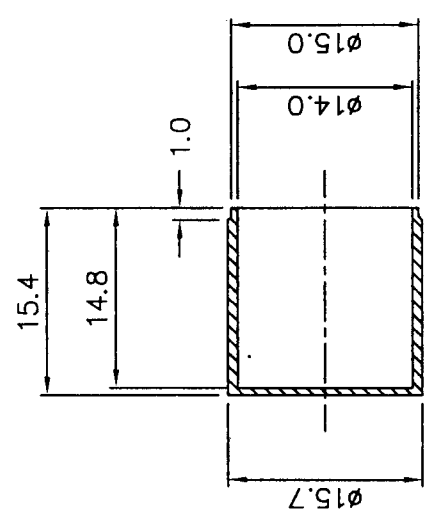
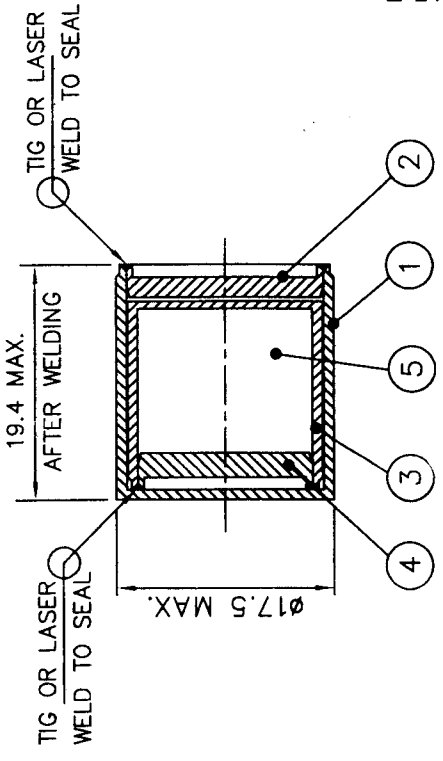


Aug 11 2017
(DATE)

 _____
William Schoonover
Acting Associate Administrator for Hazardous Materials Safety

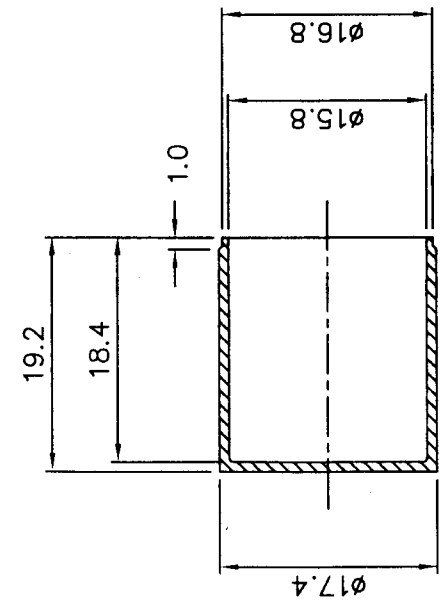
Revision 4 - Issued to extend the expiration date.

ITEM No.	DESCRIPTION	QTY.
1	SHEATH BODY STAIN.STL.	1
2	SHEATH LID STAIN.STL.	1
3	CELL BODY STAIN.STL.	1
4	CELL LID STAIN.STL.	1
5	ACTIVE MATERIAL	AR

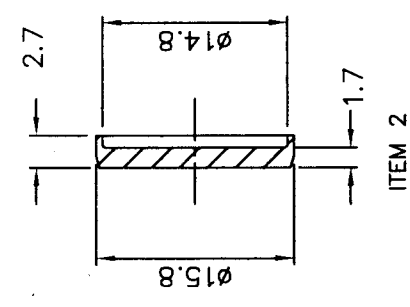


ITEM 3

ITEM 4



ITEM 1



ITEM 2



DESCRIPTIVE
DRAWING

TITLE X2 CAPSULE ASSEMBLY

SIZE	DWG. NO.	SHEET 1 OF 1	REV
A	RBA11001		A
SCALE:		NONE	

APPROVALS	
<i>[Signature]</i>	22JAN03
<i>[Signature]</i>	22JAN03

DIMENSIONS IN MILLIMETERS
UNLESS OTHERWISE STATED TOLERANCES:

X ±0.5
X.X ±0.1
X.XX ±0.05
ANGULAR ±5°

INTERNAL $\frac{M}{\sqrt{A}}$
EXTERNAL $\frac{N}{\sqrt{A}}$

ERF #	429
-------	-----



U.S. Department
of Transportation

East Building, PHH-23
1200 New Jersey Avenue SE
Washington, D.C. 20590

**Pipeline and
Hazardous Materials
Safety Administration**

CERTIFICATE NUMBER: USA/0624/S-96, Revision 4

ORIGINAL REGISTRANT(S):

Ms. Lori Podolak
Manager, Regulatory Affairs/Quality Assurance
QSA Global, Inc.
40 North Avenue
Burlington, MA 01803

Mr. Michael Fuller
Regulatory Compliance Associate
QSA Global, Inc.
40 North Avenue
Burlington, MA 01803

Ms. Mary French
Regulatory Affairs Associate
QSA Global, Inc.
30 North Avenue
Burlington, MA 01803