



U.S. Department  
of Transportation

Pipeline and  
Hazardous Materials  
Safety Administration

East Building, PHH-23  
1200 New Jersey Ave, SE  
Washington, D.C. 20590

IAEA CERTIFICATE OF COMPETENT AUTHORITY  
SPECIAL FORM RADIOACTIVE MATERIALS

CERTIFICATE USA/0623/S-96, REVISION 5

This certifies that the source described has been demonstrated to meet the regulatory requirements for special form radioactive material as prescribed in the regulations of the International Atomic Energy Agency<sup>1</sup> and the United States of America<sup>2</sup> for the transport of radioactive material.

1. Source Identification - QSA Global, Inc. Model X.4 (Manufactured on or after July 17, 1980).
2. Source Description - Cylindrical double encapsulation made of stainless steel and tungsten inert gas or laser seal welded. Approximate outer dimensions are 22.4 mm (0.88 in.) in diameter and 48.4 mm (1.91 in.) in length. Minimum wall thickness of the sheath body is 1.2 mm (0.005 in.) and of the cell body is 1.2 mm (0.005 in.). Construction shall be in accordance with attached AEA Technology QSA, Inc. Drawing No. RBA11014, Rev. A.
3. Radioactive Contents - No more than 740.0 GBq (20.0 Ci) of Americium-241. The Am-241 is in the form of an oxide mixed with beryllium and pressed into a solid pellet.
4. Management System Activities - Records of Management System activities required by Paragraph 306 of the IAEA regulations shall be maintained and made available to the authorized officials for at least three years after the last shipment authorized by this certificate. Consignors in the United States exporting shipments under this certificate shall satisfy the requirements of Subpart H of 10 CFR 71.

---

<sup>1</sup> "Regulations for the Safe Transport of Radioactive Material, 2012 Edition, No. SSR-6" published by the International Atomic Energy Agency (IAEA), Vienna, Austria.

<sup>2</sup> Title 49, Code of Federal Regulations, Parts 100-199, United States of America.

**CERTIFICATE USA/0623/S-96, REVISION 5**


5. Expiration Date - This certificate expires on June 30, 2027. Previous editions which have not reached their expiration date may continue to be used.

This certificate is issued in accordance with paragraph(s) 804 of the IAEA Regulations and Section 173.476 of Title 49 of the Code of Federal Regulations, in response to the May 2, 2022 petition by QSA Global, Inc., Burlington, MA, and in consideration of other information on file in this Office.

Certified By:



June 09, 2022  
(DATE)

 William Schoonover  
Associate Administrator for Hazardous  
Materials Safety

Revision 5 - Issued to extend the expiration date.

| Item # | Description            | Qty. |
|--------|------------------------|------|
| 1      | SHEATH BODY STAIN.STL. | 1    |
| 2      | SHEATH LID STAIN.STL.  | 1    |
| 3      | CELL BODY STAIN.STL.   | 1    |
| 4      | CELL LID STAIN.STL.    | 1    |
| 5      | ACTIVE MATERIAL        | AR   |

TIG OR LASER WELD TO SEAL

48.6 MAX. AFTER WELDING

M6 THREAD

39.1

37.9

2.0

Ø19.9

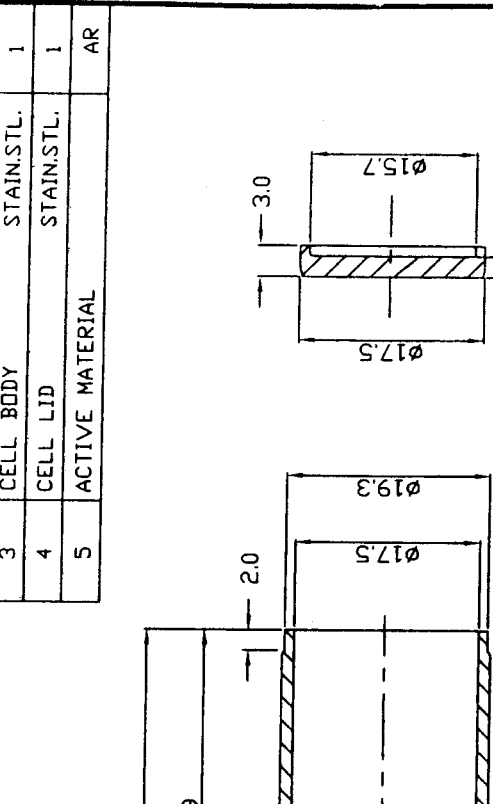
Ø17.5

Ø15.7

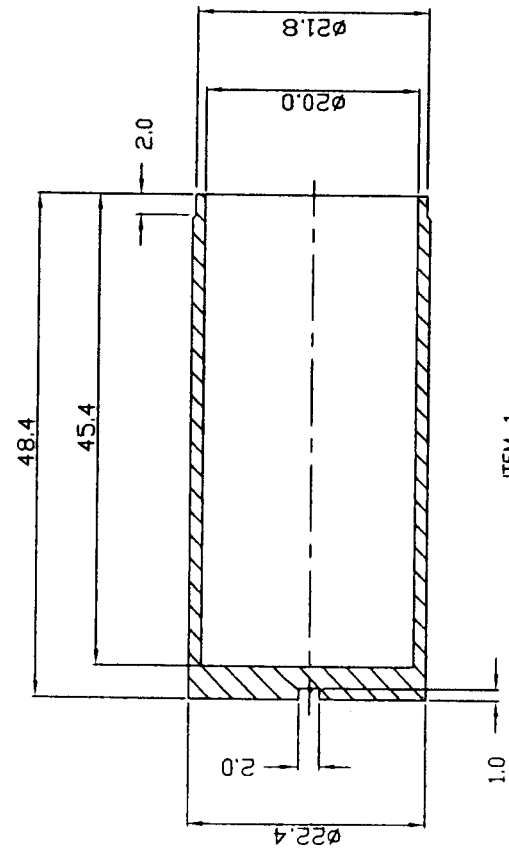
3.0

2.0

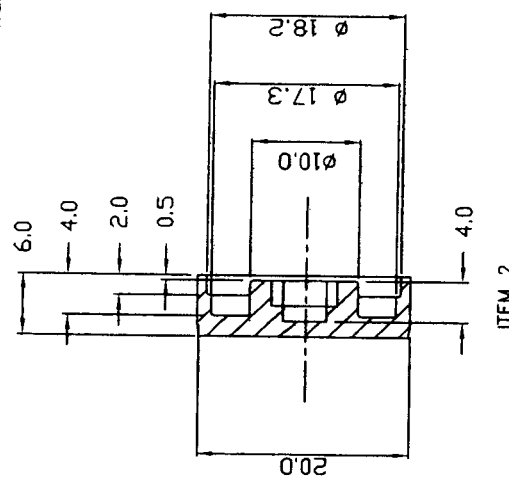
ITEM 4



ITEM 3



ITEM 1



ITEM 2

| APPROVALS          |           |
|--------------------|-----------|
| <i>[Signature]</i> | ZZ JAN 03 |
| <i>[Signature]</i> | 20 JAN 03 |

DIMENSIONS IN MILLIMETERS  
UNLESS OTHERWISE STATED TOLERANCES:

|         |       |          |    |
|---------|-------|----------|----|
| X       | ±0.5  | INTERNAL | N7 |
| X.X     | ±0.1  | INTERNAL | N6 |
| X.XX    | ±0.05 | EXTERNAL | N6 |
| ANGULAR | ±5°   |          |    |



DESCRIPTIVE DRAWING

TITLE X4 CAPSULE ASSEMBLY

|        |          |              |
|--------|----------|--------------|
| SIZE   | DWG. NO. | REV          |
| A      | RBA11014 | A            |
| SCALE: | NONE     | SHEET 1 OF 1 |

ERF # 430



U.S. Department of  
Transportation

**Pipeline and  
Hazardous Materials  
Safety Administration**

East Building, PHH-23  
1200 New Jersey Ave, SE  
Washington, D.C. 20590

**CERTIFICATE NUMBER:** USA/0623/S-96

**ORIGINAL REGISTRANT(S) :**

QSA Global, Inc.  
40 North Avenue  
Burlington, MA, 01803  
USA