



U.S. Department
of Transportation
**Pipeline and
Hazardous Materials
Safety Administration**

**IAEA CERTIFICATE OF COMPETENT AUTHORITY
SPECIAL FORM RADIOACTIVE MATERIALS
CERTIFICATE USA/0603/S-96, REVISION 4**

East Building, PHH-23
1200 New Jersey Avenue Southeast
Washington, D.C. 20590

This certifies that the source described has been demonstrated to meet the regulatory requirements for special form radioactive material as prescribed in the regulations of the International Atomic Energy Agency¹ and the United States of America² for the transport of radioactive material.

1. Source Identification - QSA Global, Inc. Model X.2163 source capsule.
2. Source Description - The X.2163 source capsule is a cylindrical double encapsulation made of stainless steel and tungsten inert gas or laser seal welded. The source measures approximately 12.0 mm (0.47 in.) in length and 6.3 mm (0.25 in.) in diameter. The minimum wall thickness on the outer encapsulation is 0.254 mm (0.01 in.) and 0.25 mm (0.0098 in.) on the inner shell. Construction shall be in accordance with attached AEA Technology QSA, Inc. Drawing No. RBA62558, Rev. A.
3. Radioactive Contents - No more than 7.5 TBq (202.7 Ci) of Cobalt-60 in solid metal form.
4. Quality Assurance - Records of Quality Assurance activities required by Paragraph 310 of the IAEA regulations¹ shall be maintained and made available to the authorized officials for at least three years after the last shipment authorized by this certificate. Consignors in the United States exporting shipments under this certificate shall satisfy the applicable requirements of Subpart H of 10 CFR 71.
5. Expiration Date - This certificate expires on August 31, 2022.

¹ "Regulations for the Safe Transport of Radioactive Material, 1996 Edition (Revised), No. TS-R-1 (ST-1, Revised)," published by the International Atomic Energy Agency(IAEA), Vienna, Austria.

² Title 49, Code of Federal Regulations, Parts 100-199, United States of America.

CERTIFICATE USA/0603/S-96, REVISION 4


This certificate is issued in accordance with paragraph 804 of the IAEA Regulations and Section 173.476 of Title 49 of the Code of Federal Regulations, in response to the July 07, 2017 petition by QSA Global, Inc., Burlington, MA, and in consideration of other information on file in this Office.

Certified By:



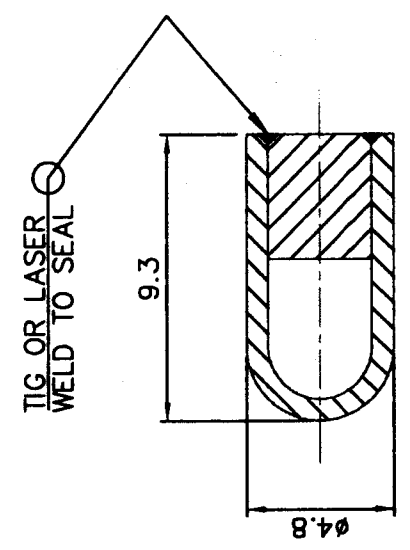
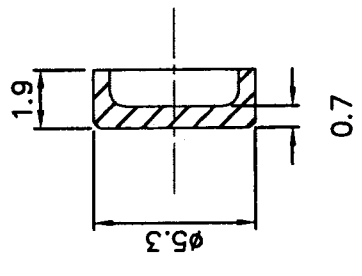
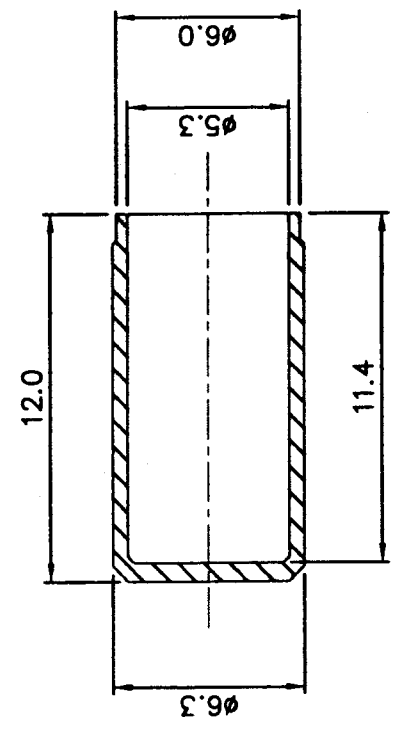
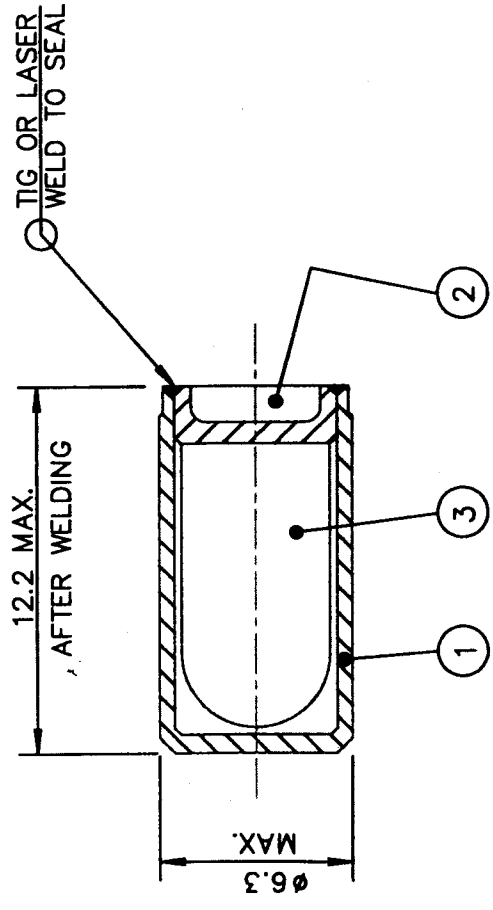
Aug 08 2017

(DATE)

 _____
William Schoonover
Acting Associate Administrator for Hazardous Materials Safety

Revision 4 - Issued to extend the expiration date.

ITEM No.	DESCRIPTION	QTY.
1	CAPSULE BODY STAIN.STL	1
2	CAPSULE LID STAIN.STL	1
3	INNER CELL BODY STAIN.STL	1



ITEM 1

ITEM 2

ITEM 3

NOTE:
INTERNAL CONFIGURATION OF INNER
PLUG/WALL CAN CHANGE BUT A MINIMUM
WALL THICKNESS OF 0.25mm WILL BE
MAINTAINED.

APPROVALS	
<i>[Signature]</i>	12F6503
<i>[Signature]</i>	12F6003

DIMENSIONS IN MILLIMETERS
UNLESS OTHERWISE STATED TOLERANCES:

X	±0.5	INTERNAL	±0.1
XX	±0.1	INTERNAL	±0.05
XXX	±0.05	INTERNAL	±0.02
		EXTERNAL	±0.1
		EXTERNAL	±0.05



DESCRIPTIVE
DRAWING

TITLE X2163 CAPSULE ASSEMBLY

SIZE	DWG. NO.	REV
A	RBA62558	A
SCALE: NONE		SHEET 1 OF 1

ERF # 463



U.S. Department
of Transportation

East Building, PHH-23
1200 New Jersey Avenue SE
Washington, D.C. 20590

**Pipeline and
Hazardous Materials
Safety Administration**

CERTIFICATE NUMBER: USA/0603/S-96, Revision 4

ORIGINAL REGISTRANT(S):

Ms. Lori Podolak
Manager, Regulatory Affairs/Quality Assurance
QSA Global, Inc.
40 North Avenue
Burlington, MA 01803

Mr. Michael Fuller
Regulatory Compliance Associate
QSA Global, Inc.
40 North Avenue
Burlington, MA 01803

Ms. Mary French
Regulatory Affairs Associate
QSA Global, Inc.
30 North Avenue
Burlington, MA 01803