



U.S. Department
of Transportation

Pipeline and
Hazardous Materials
Safety Administration

East Building, PHH-23
1200 New Jersey Ave, SE
Washington, D.C. 20590

IAEA CERTIFICATE OF COMPETENT AUTHORITY
SPECIAL FORM RADIOACTIVE MATERIALS

CERTIFICATE USA/0544/S-96, REVISION 5

This certifies that the source described has been demonstrated to meet the regulatory requirements for special form radioactive material as prescribed in the regulations of the International Atomic Energy Agency¹ and the United States of America² for the transport of radioactive material.

1. Source Identification - Industrial Nuclear Company, Inc. (formerly CIS-US, Inc.) Model 789.
2. Source Description - Cylindrical single encapsulation constructed of Type 316 or Type 316L stainless steel and tungsten inert gas seal welded. Approximate outer dimensions are 4.0 mm (0.16 in.) and 6.0 mm (0.24 in.) in diameter and 15.0 mm (0.59 in.) in overall length. A flat tab measuring 5.0 mm (0.2 in.) in length is attached to the larger diameter end. Wall thickness of the active area smaller diameter end is 0.4 mm (0.02 in.). Construction shall be in accordance with attached Industrial Nuclear Co., Inc. Drawing No. 78900, Rev. 1.
3. Radioactive Contents - No more than 8.88 TBq (240.0 Ci) of Iridium-192. The Ir-192 is in solid metallic form.
4. Management System Activities - Records of Management System activities required by Paragraph 306 of the IAEA regulations shall be maintained and made available to the authorized officials for at least three years after the last shipment authorized by this certificate. Consignors in the United States exporting shipments under this certificate shall satisfy the requirements of Subpart H of 10 CFR 71.

¹ "Regulations for the Safe Transport of Radioactive Material, 2012 Edition, No. SSR-6" published by the International Atomic Energy Agency (IAEA), Vienna, Austria.

² Title 49, Code of Federal Regulations, Parts 100-199, United States of America.

CERTIFICATE USA/0544/S-96, REVISION 5

5. Expiration Date - This certificate expires on July 31, 2026. Previous editions which have not reached their expiration date may continue to be used.

This certificate is issued in accordance with paragraph(s) 804 of the IAEA Regulations and Section 173.476 of Title 49 of the Code of Federal Regulations, in response to the June 23, 2021 petition by Industrial Nuclear Company, Inc., San Leandro, CA, and in consideration of other information on file in this Office.

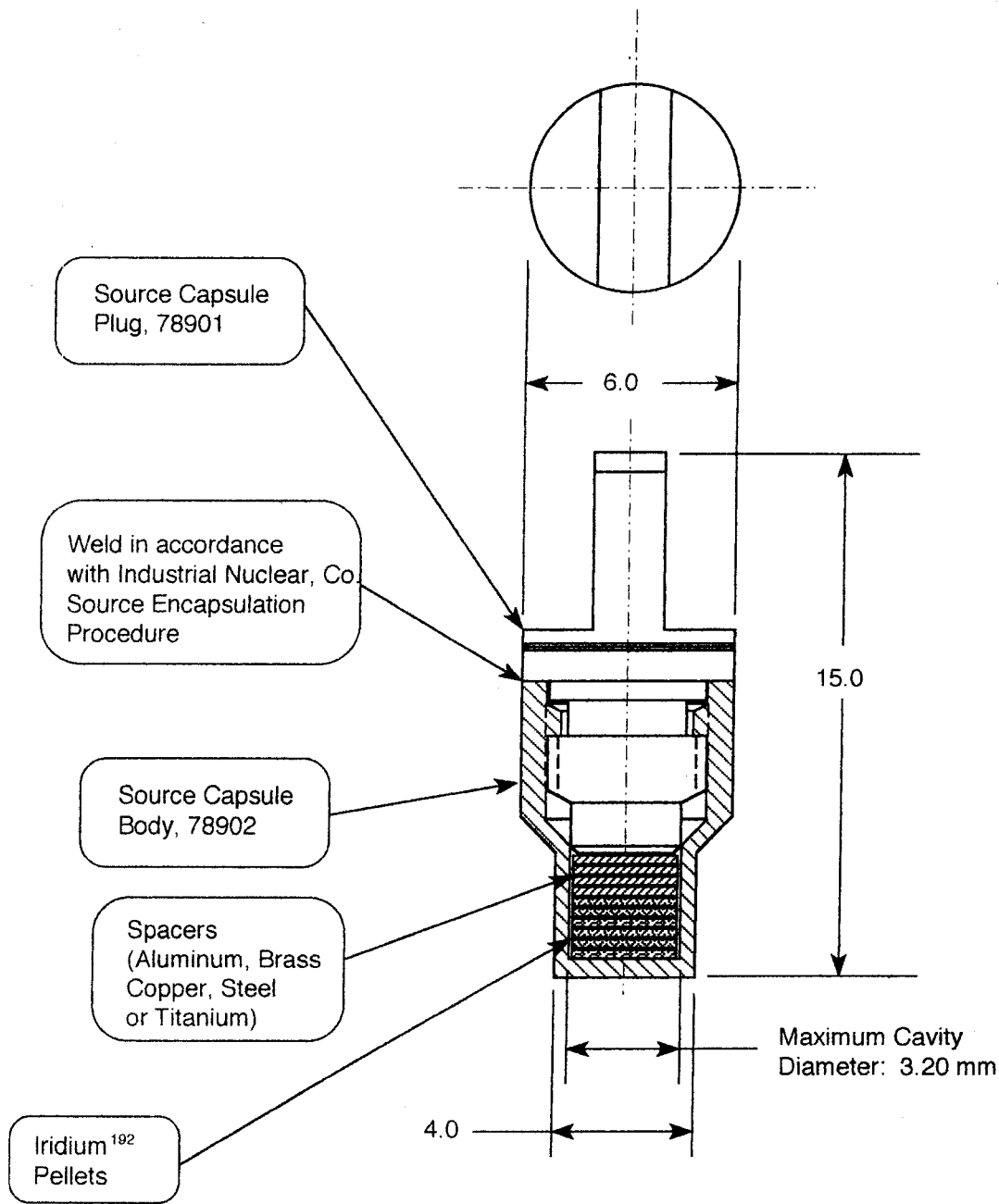
Certified By:



July 30, 2021
(DATE)

 William Schoonover
Associate Administrator for Hazardous
Materials Safety

Revision 5 - Issued to extend the expiration date.



Notes:

1. All dimensions are in millimeters
2. Material shall be Stainless Steel Type 316 or Type 316L

Industrial Nuclear Co., Inc.

35 Flagship Drive, North Andover, MA., 01845

Material	Noted	Unless otherwise specified, tolerances shall be:	Source Capsule Assembly <small>Title</small>
Finish	32 μ in		
Drawn by:	JMunro	X	<small>No.</small> 78900
Mgr. Appvl.	<i>ADJ</i>	X.X	
RA/QA	<i>GS</i>	X.XX	<small>Rev.</small> 1
Scale	5:1	X.XXX	
		Angles	



U.S. Department of
Transportation

**Pipeline and
Hazardous Materials
Safety Administration**

East Building, PHH-23
1200 New Jersey Ave, SE
Washington, D.C. 20590

CERTIFICATE NUMBER: USA/0544/S-96

ORIGINAL REGISTRANT(S) :

Industrial Nuclear Company, Inc.
14320 Wicks Blvd.
San Leandro, CA, 94577
USA