



U.S. Department
of Transportation

Pipeline and
Hazardous Materials
Safety Administration

IAEA CERTIFICATE OF COMPETENT AUTHORITY
SPECIAL FORM RADIOACTIVE MATERIALS

CERTIFICATE USA/0541/S-96, REVISION 4

East Building, PHH-23
1200 New Jersey Ave, SE
Washington, D.C. 20590

This certifies that the source described has been demonstrated to meet the regulatory requirements for special form radioactive material as prescribed in the regulations of the International Atomic Energy Agency¹ and the United States of America² for the transport of radioactive material.

1. Source Identification - J.L. Shepherd Model No. 7810-8.
2. Source Description - Cylindrical double encapsulation made of Type 304 stainless steel and heliarc seal welded. Approximate external dimensions are 6.0 mm (0.236 in.) in diameter and 8.0 mm (0.315 in.) in length. Construction shall be in accordance with attached J.L. Shepherd Drawing No. A-0517-TC, dated December 10, 1997.
3. Radioactive Contents - Not more than 6 GBq (160 mCi) of Cobalt-60 as a solid metal.
4. Management System Activities - Records of Management System activities required by Paragraph 306 of the IAEA regulations shall be maintained and made available to the authorized officials for at least three years after the last shipment authorized by this certificate. Consignors in the United States exporting shipments under this certificate shall satisfy the requirements of Subpart H of 10 CFR 71.
5. Expiration Date - This certificate expires on January 31, 2023. Previous editions which have not reached their expiration date may continue to be used.

¹ "Regulations for the Safe Transport of Radioactive Material, 2012 Edition, No. SSR-6" published by the International Atomic Energy Agency (IAEA), Vienna, Austria.

² Title 49, Code of Federal Regulations, Parts 100-199, United States of America.

CERTIFICATE USA/0541/S-96, REVISION 4


This certificate is issued in accordance with paragraph(s) 804 of the IAEA Regulations and Section 173.476 of Title 49 of the Code of Federal Regulations, in response to the January 15, 2018 petition by J.L. Shepherd & Associates, San Fernando, CA, and in consideration of other information on file in this Office.

Certified By:

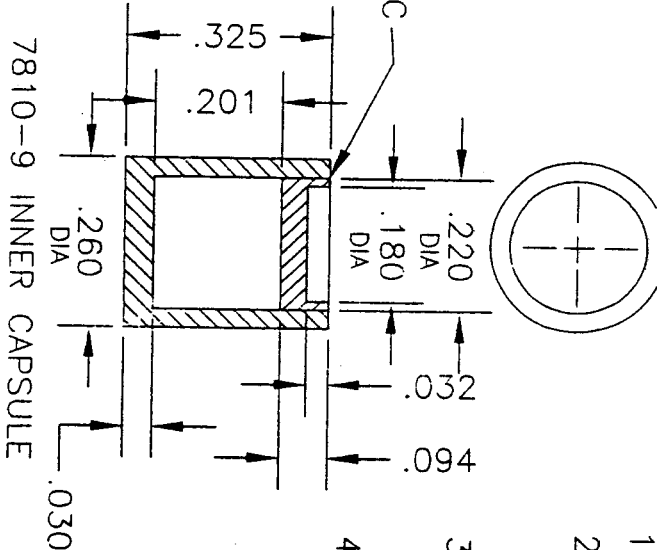
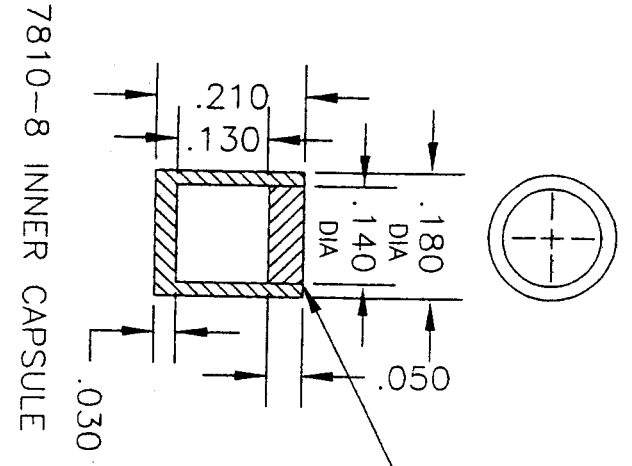
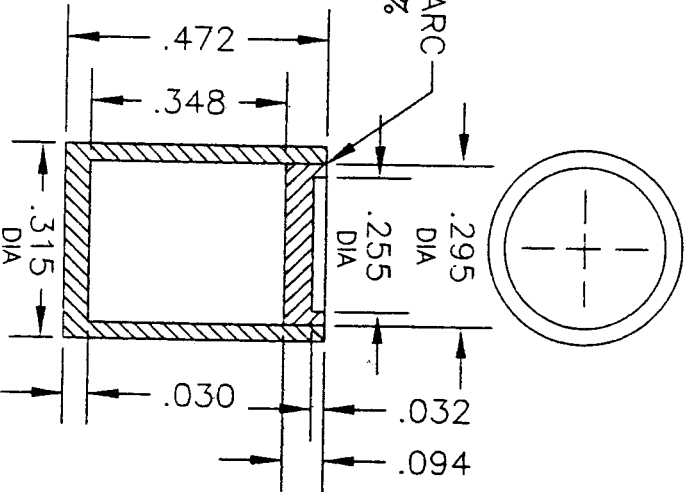
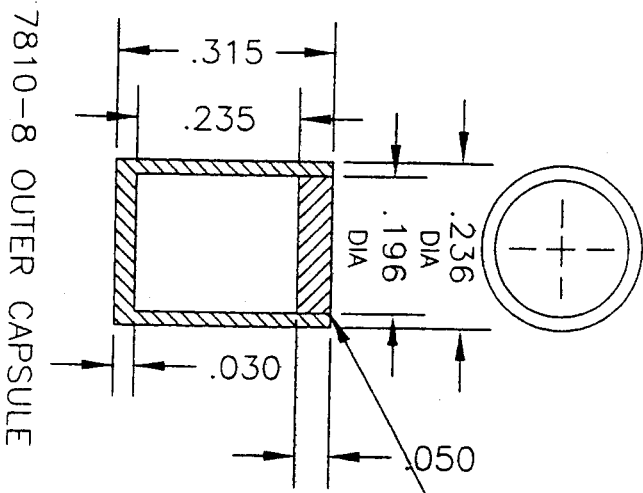


January 31, 2018

(DATE)

 William Schoonover
Associate Administrator for Hazardous
Materials Safety

Revision 4 - Issued to extend the expiration date.



1. MATL = 304 STAINLESS STL.
2. END CAPS TO HAVE .006 REGISTER & .0005 INTERFERENCE FIT.
3. CAPSULES TO BE CERTIFIED "SPECIAL FORM".
4. REMOVEABLE CONTAMINATION $\leq 5 \times 10^{-5}$ M CI.

UNLESS OTHERWISE SPECIFIED: DIMENSIONS ARE IN INCHES TOLERANCE			J. L. SHEPHERD <i>and Associates</i>			
DECIMALS	FRACTIONS	ANGULAR				
.X ± .030			SIZE	MODEL	DWG NO.	REV
.XX ± .010	± 1/16	± ∅ 30°	A		A-0517-TC	
.XXX ± .005			SCALE	SHEET 1 OF 1		
DRAWN D. TRAN	DATE 10DEC97		NONE			
APPROVED <i>[Signature]</i>						



U.S. Department of
Transportation

**Pipeline and
Hazardous Materials
Safety Administration**

East Building, PHH-23
1200 New Jersey Ave, SE
Washington, D.C. 20590

CERTIFICATE NUMBER: USA/0541/S-96

ORIGINAL REGISTRANT(S) :

J.L. Shepherd & Associates
1010 Arroyo Ave.
San Fernando, CA, 91340-1822
USA