



U.S. Department
of Transportation

Pipeline and
Hazardous Materials
Safety Administration

East Building, PHH-23
1200 New Jersey Ave, SE
Washington, D.C. 20590

IAEA CERTIFICATE OF COMPETENT AUTHORITY
SPECIAL FORM RADIOACTIVE MATERIALS

CERTIFICATE USA/0518/S-96, REVISION 6

This certifies that the sources described have been demonstrated to meet the regulatory requirements for special form radioactive material as prescribed in the regulations of the International Atomic Energy Agency¹ and the United States of America² for the transport of radioactive material.

1. Source Identification - Eckert & Ziegler Isotope Products source capsule Models 3908 and P04.
2. Source Description - Cylindrical double encapsulations made of stainless steel and fusion seal welded. Approximate outer dimensions are 8.0 mm (0.315 in.) in diameter and 12.0 mm (0.472 in.) in length. Construction shall be in accordance with attached Isotope Product Laboratories Drawing 3908, Rev. 1, Sheet 3 of 8 (Model 3908) or Eckert & Ziegler Isotope Products Drawing No. 3044-REG, Rev. A, Sheet 1 of 1 (Model P04).
3. Radioactive Contents - Not more than either 296.0 GBq (8.0 Ci) of Cobalt-60 or 444.0 GBq (12.0 Ci) of Cesium-137. The Co-60 and Cs-137 are in the form of a chloride, nitrate or oxide in ceramic; oxides in metal; or a combination of the above.
4. Management System Activities - Records of Management System activities required by Paragraph 306 of the IAEA regulations shall be maintained and made available to the authorized officials for at least three years after the last shipment authorized by this certificate. Consignors in the United States exporting shipments under this certificate shall satisfy the requirements of Subpart H of 10 CFR 71.

¹ "Regulations for the Safe Transport of Radioactive Material, 2012 Edition, No. SSR-6" published by the International Atomic Energy Agency (IAEA), Vienna, Austria.

² Title 49, Code of Federal Regulations, Parts 100-199, United States of America.

CERTIFICATE USA/0518/S-96, REVISION 6


5. Expiration Date - This certificate expires on November 30, 2025. Previous editions which have not reached their expiration date may continue to be used.

This certificate is issued in accordance with paragraph(s) 804 of the IAEA Regulations and Section 173.476 of Title 49 of the Code of Federal Regulations, in response to the November 13, 2020 petition by Eckert & Ziegler Isotope Products, Valencia, CA, and in consideration of other information on file in this Office.

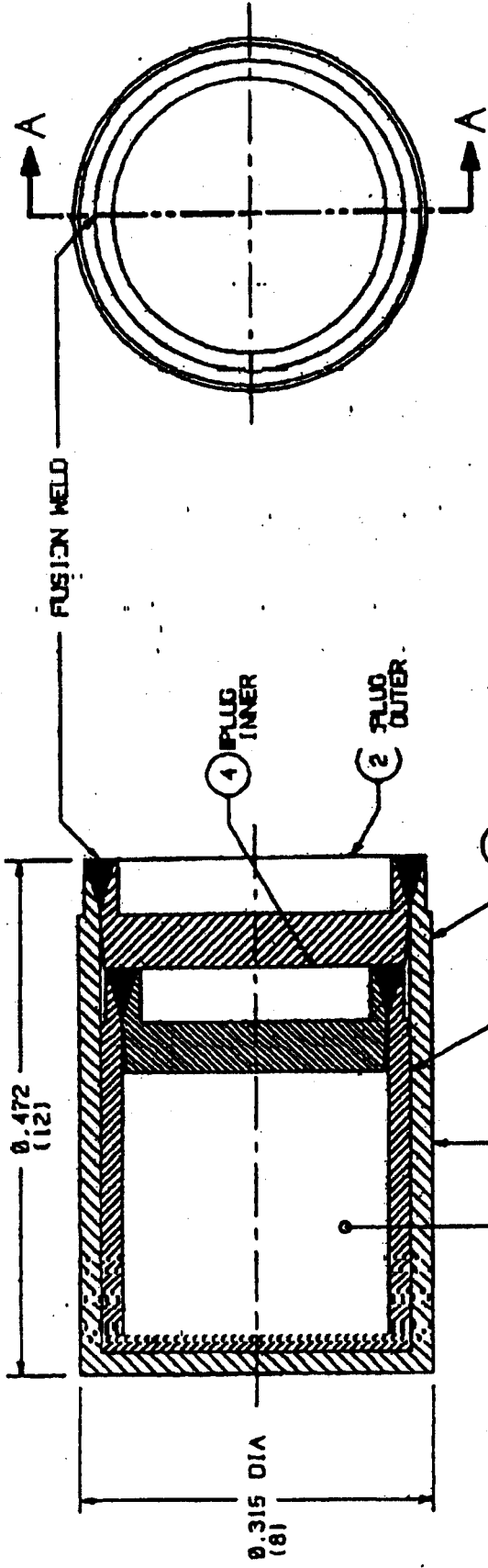
Certified By:



November 23, 2020
(DATE)

 William Schoonover
Associate Administrator for Hazardous
Materials Safety

Revision 6 - Issued to extend the expiration date.



SECTION A-A

ACTIVE ELEMENT
0.236 DIA x 3.236

A

IPL
XXXX
XXXX
XXXX

5. INDIVIDUALLY PACKAGE AND IDENTIFY PART NUMBER THEREON

A ENGRAVE CHARACTERS 0.030 HIGH x 0.003 DEEP MAX AS SHOWN ON CIRCUMFERENCE: (BLACK FILL)

NUCLIDE
ACTIVITY
SERIAL NUMBER

3. TOLERANCES:

mm: 0.XXX ± 0.050, 0.0 ± 0.25, 0.X ± 2.5, ANGLE ± 0.5°

2. ALL DIMENSIONS ARE IN MILLIMETERS

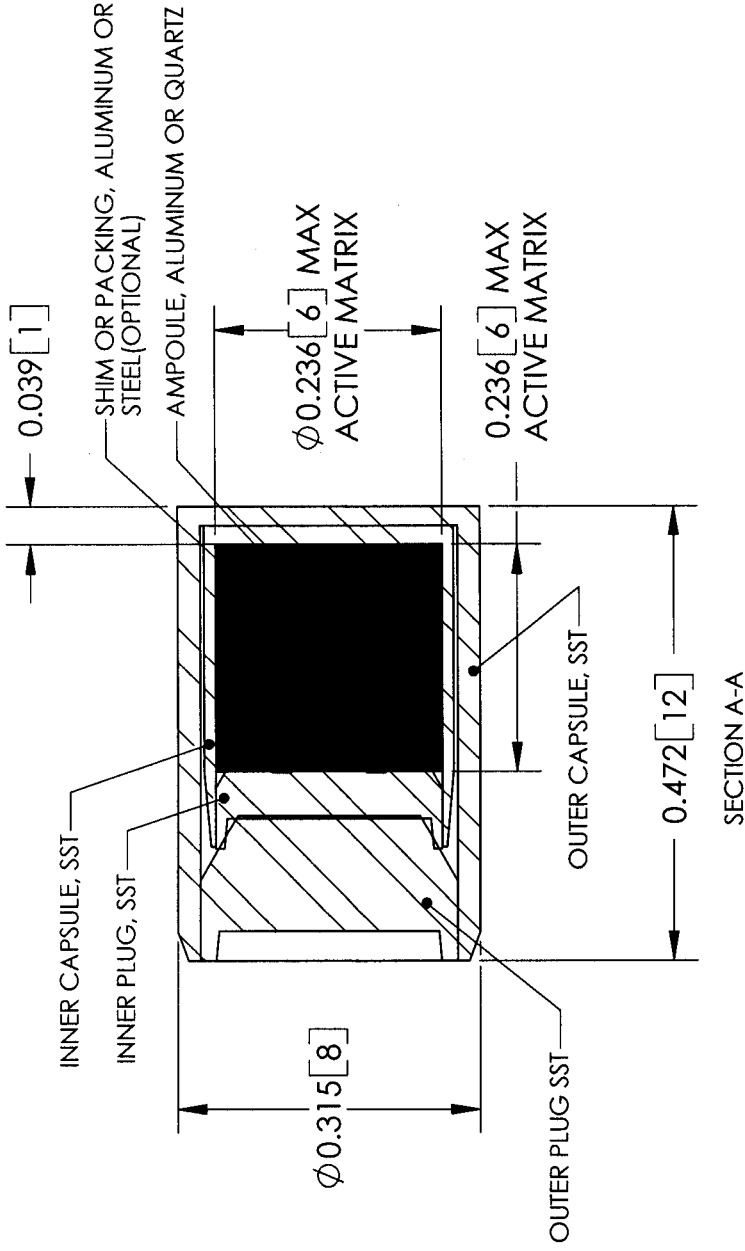
1. ASSEMBLE COMPLETE PER ENGINEERING DRAWING AND TIG WELD AS INDICATED

NOTE: UNLESS OTHERWISE SPECIFIED

THIS DRAWING IS THE PROPERTY OF ISOTOPE PRODUCTS LABORATORIES AND MAY NOT BE REPRODUCED OR TRANSMITTED IN ANY FORM OR BY ANY MEANS WITHOUT THE WRITTEN PERMISSION OF ISOTOPE PRODUCTS LABORATORIES

P/N: A3908 ASSEMBLY

ISOTOPE PRODUCTS LABORATORIES BURBANK, CALIFORNIA 91504		DESIGNED: JMD/RT
UNLESS OTHERWISE SPECIFIED DIMENSIONS ARE IN INCHES	DATE: 07/12/95	APPROVED: [Signature]
TOLERANCES ON ANGLES FINISH: 1/16 ± 0.015, 1/32 ± 0.010, 1/8 ± 0.015, 5°	TITLE: HIGH LEVEL GAMMA SOURCE	REV: 00: 1
SCALE: NTS	SHEET: 3 OF 8	DRAWING NUMBER 3908
SERIES: CUSTOM SOURCES (292 SERIES)		



MODEL VIEW
(NOT TO SCALE)

UNLESS OTHERWISE SPECIFIED DIMENSIONS ARE IN INCH-SIZES. METRIC UNITS [mm] ARE IN MILLIMETERS.



ENGINEERING
(DRWG/DSGN)

JJK / EZ

SCALE NONE

SIZE A

TITLE
MODEL P04 SERIES

CAGE CODE 32993

DRAWING NO. 3044-REG

REV A

SHEET 1 OF 1

Eckert & Ziegler

Isotope Products
Valencia, California 91355



U.S. Department of
Transportation

**Pipeline and
Hazardous Materials
Safety Administration**

East Building, PHH-23
1200 New Jersey Ave, SE
Washington, D.C. 20590

CERTIFICATE NUMBER: USA/0518/S-96

ORIGINAL REGISTRANT(S) :

Eckert & Ziegler Isotope Products
24937 Avenue Tibbitts
Valencia, CA, 91355
USA