



U.S. Department
of Transportation

Pipeline and
Hazardous Materials
Safety Administration

East Building, PHH-23
1200 New Jersey Ave, SE
Washington, D.C. 20590

IAEA CERTIFICATE OF COMPETENT AUTHORITY
SPECIAL FORM RADIOACTIVE MATERIALS

CERTIFICATE USA/0500/S-96, REVISION 6

This certifies that the source described has been demonstrated to meet the regulatory requirements for special form radioactive material as prescribed in the regulations of the International Atomic Energy Agency¹ and the United States of America² for the transport of radioactive material.

1. Source Identification - QSA Global, Inc. Model X.1065.
2. Source Description - Cylindrical single or double encapsulation made of Type 316 or 316L stainless steel and tungsten inert gas or laser seal welded. Approximate exterior dimensions are 6.4 mm (0.25 in.) in diameter and 18.5 mm (0.73 in.) in length. Minimum wall thickness is 0.66 mm (0.026 in.). Any inner encapsulation shall be made of stainless steel, aluminum, or titanium. Construction shall be in accordance with attached QSA Global, Inc. Drawing No. R87520, Rev. B.
3. Radioactive Contents - No more than 10.73 TBq (290.0 Ci) of Iridium-192 or Cobalt-60 in solid metal form.
4. Management System Activities - Records of Management System activities required by Paragraph 306 of the IAEA regulations shall be maintained and made available to the authorized officials for at least three years after the last shipment authorized by this certificate. Consignors in the United States exporting shipments under this certificate shall satisfy the requirements of Subpart H of 10 CFR 71.
5. Expiration Date - This certificate expires on January 31, 2023. Previous editions which have not reached their expiration date may continue to be used.

¹ "Regulations for the Safe Transport of Radioactive Material, 2012 Edition, No. SSR-6" published by the International Atomic Energy Agency (IAEA), Vienna, Austria.

² Title 49, Code of Federal Regulations, Parts 100-199, United States of America.

CERTIFICATE USA/0500/S-96, REVISION 6


This certificate is issued in accordance with paragraph(s) 804 of the IAEA Regulations and Section 173.476 of Title 49 of the Code of Federal Regulations, in response to the January 2, 2018 petition by QSA Global, Inc., Burlington, MA, and in consideration of other information on file in this Office.

Certified By:

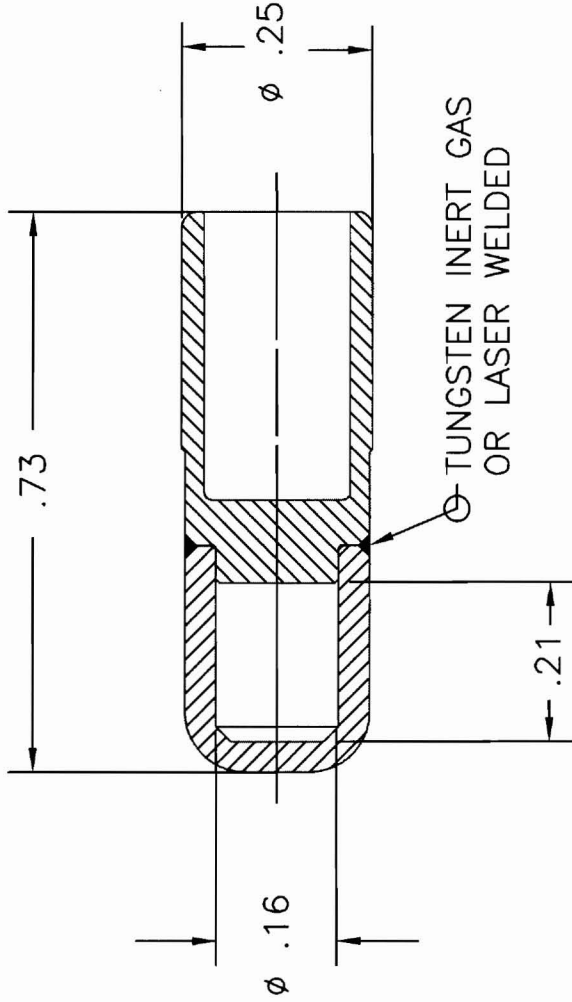


January 19, 2018

(DATE)

 William Schoonover
Associate Administrator for Hazardous
Materials Safety

Revision 6 - Issued to extend the expiration date.



NOTES:

1. INTERNAL VOID TO BE 0.010 mL OR GREATER.
2. MATERIAL: 316L STAINLESS STEEL OR EQUIVALENT.
3. INNER CAVITY DIMENSIONS MAY VARY. METALLIC SPACERS, SPRINGS AND GUARDS WHICH SECURE AND/OR LOCATE THE RADIOACTIVE MATERIAL WITHIN THE CAPSULE MAY BE USED.
4. MINIMUM WALL THICKNESS TO BE 0.026.

APPROVALS		DATE	 40 NORTH AVE., BURLINGTON, MA 01803	DESCRIPTIVE DRAWING
<i>[Signature]</i>		25 Jul 07		
UNLESS OTHERWISE SPECIFIED DIMENSIONS IN INCHES TOLERANCES: FRACTIONS $\pm 1/8$ X.X ± 0.12 X.XX ± 0.06 X.XXX ± 0.020		TITLE X1065 CAPSULE ASSEMBLY		REV
SIZE	DWG. NO.	SCALE: NONE		OF 1
A	R87520	SHEET 1		B

ERF #	1739
-------	------



U.S. Department of
Transportation

**Pipeline and
Hazardous Materials
Safety Administration**

East Building, PHH-23
1200 New Jersey Ave, SE
Washington, D.C. 20590

CERTIFICATE NUMBER: USA/0500/S-96

ORIGINAL REGISTRANT(S) :

QSA Global, Inc.
30 North Avenue
Burlington, MA, 01803
USA