



U.S. Department  
of Transportation

Pipeline and  
Hazardous Materials  
Safety Administration

East Building, PHH-23  
1200 New Jersey Ave, SE  
Washington, D.C. 20590

IAEA CERTIFICATE OF COMPETENT AUTHORITY  
SPECIAL FORM RADIOACTIVE MATERIALS

CERTIFICATE USA/0392/S-96, REVISION 13

This certifies that the source described has been demonstrated to meet the regulatory requirements for special form radioactive material as prescribed in the regulations of the International Atomic Energy Agency<sup>1</sup> and the United States of America<sup>2</sup> for the transport of radioactive material.

1. Source Identification - QSA Global, Inc. Model 875 Capsule.
2. Source Description - Cylindrical single encapsulation made of Type 304 or 304L stainless steel and tungsten inert gas or laser welded. Approximate exterior dimensions are 5.2 mm (0.205 in.) in diameter and 7.84 mm (0.309 in.) in length. Inside dimensions vary, but minimum wall thickness is 0.482 mm (0.019 in.). Construction shall be in accordance with attached QSA Global, Inc. Drawing No. R875 INNER, Rev. C.
3. Radioactive Contents - No more than either 8.9 TBq (240.0 Ci) of Cobalt-60 or 14.8 TBq (400.0 Ci) of Iridium-192 in the form of metallic wafers or pellets.
4. Management System Activities - Records of Management System activities required by Paragraph 306 of the IAEA regulations shall be maintained and made available to the authorized officials for at least three years after the last shipment authorized by this certificate. Consignors in the United States exporting shipments under this certificate shall satisfy the requirements of Subpart H of 10 CFR 71.
5. Expiration Date - This certificate expires on July 31, 2027. Previous editions which have not reached their expiration date may continue to be used.

---

<sup>1</sup> "Regulations for the Safe Transport of Radioactive Material, 2012 Edition, No. SSR-6" published by the International Atomic Energy Agency (IAEA), Vienna, Austria.

<sup>2</sup> Title 49, Code of Federal Regulations, Parts 100-199, United States of America.

**CERTIFICATE USA/0392/S-96, REVISION 13**

This certificate is issued in accordance with paragraph(s) 804 of the IAEA Regulations and Section 173.476 of Title 49 of the Code of Federal Regulations, in response to the July 5, 2022 petition by QSA Global, Inc., Burlington, MA, and in consideration of other information on file in this Office.

Certified By:

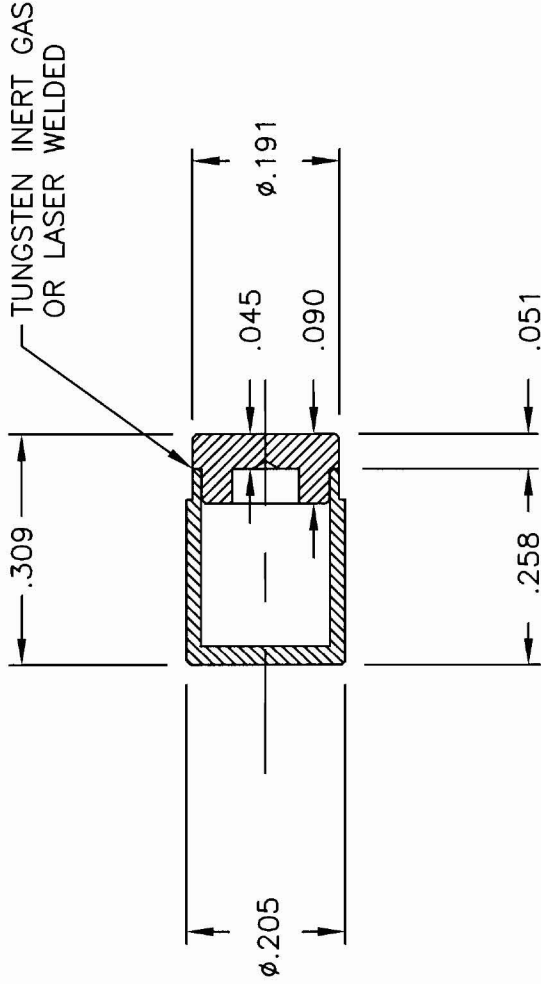


July 25, 2022


(DATE)

 William Schoonover  
Associate Administrator for Hazardous  
Materials Safety

Revision 13 - Issued to extend the expiration date.



- NOTES:
1. MATERIAL: 304L STAINLESS STEEL.
  2. INTERNAL VOID VOLUME TO BE 0.010 mL OR GREATER.
  3. INNER CAVITY DIMENSIONS MAY VARY. METALLIC SPACERS, SPRINGS AND GUARDS WHICH SECURE AND/OR LOCATE THE RADIOACTIVE MATERIAL WITHIN THE CAPSULE MAY BE USED.
  4. MINIMUM WALL THICKNESS TO BE 0.019.

APPROVALS		DATE	 40 NORTH AVE., BURLINGTON, MA 01803	DESCRIPTIVE DRAWING
<i>[Signature]</i> <i>[Signature]</i>		25 Jun 07 28 Oct 07		
UNLESS OTHERWISE SPECIFIED DIMENSIONS IN INCHES TOLERANCES: FRACTIONS ± 1/8 X.X ± 0.12 X.XX ± 0.06 X.XXX ± 0.020			TITLE	875 SERIES INNER CAPSULE
SIZE	DWG. NO.	SCALE:	REV	
A	R875 INNER	NONE	1	C
ERF #		SHEET 1 of 1		
1739				



U.S. Department of  
Transportation

**Pipeline and  
Hazardous Materials  
Safety Administration**

East Building, PHH-23  
1200 New Jersey Ave, SE  
Washington, D.C. 20590

**CERTIFICATE NUMBER:** USA/0392/S-96

**ORIGINAL REGISTRANT(S) :**

QSA Global, Inc.  
40 North Avenue  
Burlington, MA, 01803  
USA