



U.S. Department
of Transportation
**Pipeline and
Hazardous Materials
Safety Administration**

**IAEA CERTIFICATE OF COMPETENT AUTHORITY
SPECIAL FORM RADIOACTIVE MATERIALS
CERTIFICATE USA/0377/S-96, REVISION 9**

East Building, PHH-23
1200 New Jersey Avenue Southeast
Washington, D.C. 20590

This certifies that the sources described have been demonstrated to meet the regulatory requirements for special form radioactive material as prescribed in the regulations of the International Atomic Energy Agency¹ and the United States of America² for the transport of radioactive material.

1. Source Identification - QSA Global, Inc. Models 60011, 60012, and 60013.
2. Source Description - Cylindrical double encapsulations made of Type 304 or 304L stainless steel and seal welded. Approximate outer dimensions are 6.35 mm (0.25 in.) in diameter and 24.3 mm (0.96 in.) in length (Model 60011); 8.89 mm (0.35 in.) in diameter and 32.5 mm (1.28 in.) in length (Model 60012); and 12.1 mm (0.48 in.) in diameter and 40.3 mm (1.59 in.) in length (Model 60013). Inner capsules are made of stainless steel or titanium, secured by stainless steel, titanium, or aluminum spacer disks and springs. Construction shall be in accordance with attached Tech/Ops Drawing No. 60060, Rev. B.
3. Radioactive Contents - No more than 8.14 TBq (220.0 Ci) of Cobalt-60 for the Model 60011. No more than 25.9 TBq (700.0 Ci) of Cobalt-60 for the Model 60012. No more than 44.4 TBq (1,200.0 Ci) of Cobalt-60 for the Model 60013. The Co-60 is in solid metallic form.
4. Quality Assurance - Records of Quality Assurance activities required by Paragraph 310 of the IAEA regulations¹ shall be maintained and made available to the authorized officials for at least three years after the last shipment authorized by this certificate. Consignors in the United States exporting shipments under this certificate shall satisfy the applicable requirements of Subpart H of 10 CFR 71.
5. Expiration Date - This certificate expires on November 30, 2020.

¹ "Regulations for the Safe Transport of Radioactive Material, 1996 Edition (Revised), No. TS-R-1 (ST-1, Revised)," published by the International Atomic Energy Agency (IAEA), Vienna, Austria.

² Title 49, Code of Federal Regulations, Parts 100-199, United States of America.

CERTIFICATE USA/0377/S-96, REVISION 9

This certificate is issued in accordance with paragraph 804 of the IAEA Regulations and Section 173.476 of Title 49 of the Code of Federal Regulations, in response to the November 13, 2015 petition by QSA Global, Inc., Burlington, MA, and in consideration of other information on file in this Office.

Certified By:



Dr. Magdy El-Sibaie
Associate Administrator for Hazardous Materials Safety

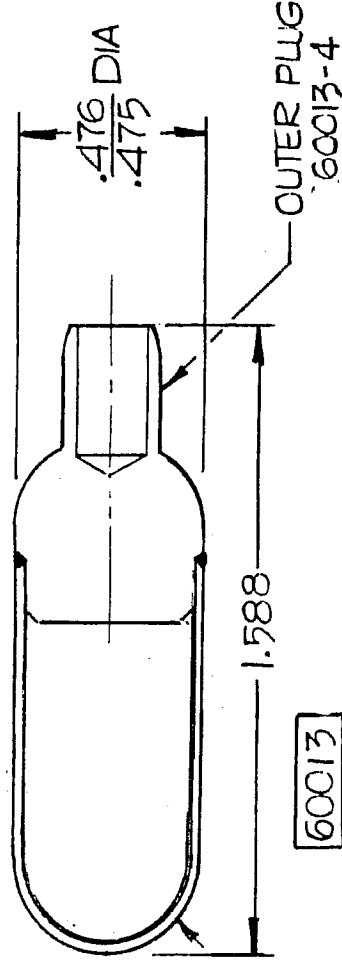
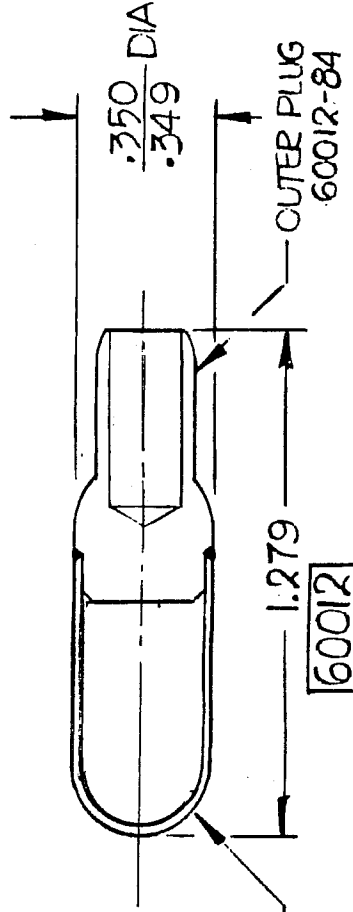
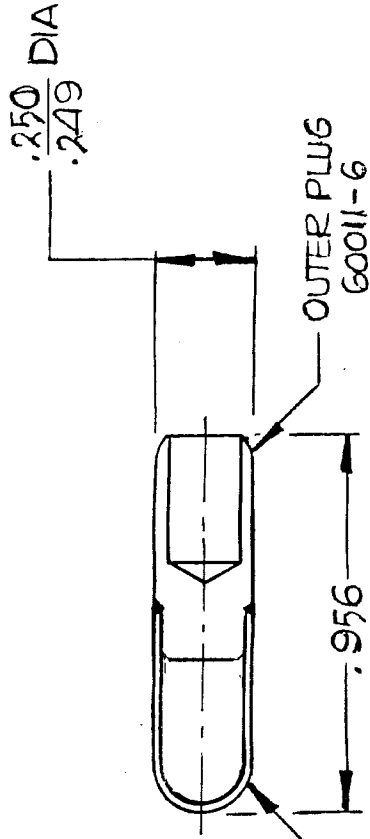
Dec 09 2015
(DATE)

Revision 9 - Issued to extend the expiration date.

NOTES:

1. EACH SOURCE CAPSULE IS SEAL WELDED IN ACCORDANCE WITH TECH/OPS STANDARD SOURCE ENCAPSULATION PROCEDURE
2. IN ADDITION TO THE RADIONUCLIDE, COBALT-60, THE SOURCE CAPSULE MAY CONTAIN STAINLESS STEEL, TITANIUM OR ALUMINUM AS A SECONDARY ENCAPSULATION SPACER OR SPRING

REV.	DATE	DESCRIPTION
A	25 SEP 85	SEE HT 1
B	1 MAY 86	NOTES ADDED TO DESCRIBE ADDITIONAL CONTENTS



MATERIALS

FINISH

DRAWN BY

T. J. ...

CHECKED BY

APPROVED BY

UNLESS OTHERWISE SPECIFIED TOLERANCES ARE	
.X	±
.XX	±
.XXX	±
ANGLES	±
FRACTIONS	±

Tech/Ops

TECH/OPS, INC.
RADIATION PRODUCTS DIVISION
BURLINGTON, MA 01803

DWG TITLE

COBALT 60 SOURCE REFERENCE

CLASSIFICATION

SIZE

DWG. NO.

60060

REV.

B

SCALE 2:1

SHEET

2 OF 3



U.S. Department
of Transportation

East Building, PHH-23
1200 New Jersey Avenue SE
Washington, D.C. 20590

**Pipeline and
Hazardous Materials
Safety Administration**

CERTIFICATE NUMBER: USA/0377/S-96, Revision 9

ORIGINAL REGISTRANT(S):

Ms. Lori Podolak
Manager, Regulatory Affairs/Quality Assurance
QSA Global, Inc.
40 North Avenue
Burlington, MA 01803

Mr. Michael Fuller
Regulatory Compliance Associate
QSA Global, Inc.
40 North Avenue
Burlington, MA 01803

REGISTERED USER(S):

Mr. Tobie Tyrrell
Radiation Safety Officer
Bonded Inspections Incorporated
3840 Marquis Street
Garland, 75042
USA

Mr. Mike Rose
QAM and ARSO
Industrial Nuclear Company, Inc.
14320 Wicks Blvd.
San Leandro, CA 94577

Mr. Randy Simmons
Radiation Safety Officer
QC Laboratories, Inc.
2628 Silver Star Road
Orlando, FL 32808-4626

Mr. Randy Stanton
Radiation Safety Officer
QC Laboratories, Inc.
2870 Stirling Road
Hollywood, FL 33020-1199

Mr. Thomas Perez
Radiation Safety Officer
Space Science Services
5518 Force Four Parkway
Orlando, FL 32839

Mr. Thomas S. Geiger
Space Science Services
470 Southgate Road
Dothan, 36301
USA

Mr. Eric Stephens
Radiation Safety Officer
Davis Laboratories
4175 West Tompkins Avenue
Las Vegas, 89103
USA

Mr. Josh Burt
RSO
Industrial Nuclear Company, Inc.
300 HWY 146N
LaPorte, 77571
USA