



U.S. Department
of Transportation
**Pipeline and
Hazardous Materials
Safety Administration**

**IAEA CERTIFICATE OF COMPETENT AUTHORITY
SPECIAL FORM RADIOACTIVE MATERIALS
CERTIFICATE USA/0352/S-96, REVISION 7**

East Building, PHH-23
1200 New Jersey Avenue Southeast
Washington, D.C. 20590

This certifies that the source described has been demonstrated to meet the regulatory requirements for special form radioactive material as prescribed in the regulations of the International Atomic Energy Agency¹ and the United States of America² for the transport of radioactive material.

1. Source Identification - Eckert & Ziegler Isotope Products (EZIP) Model AN 241 (formerly 295).
2. Source Description - Annular welded single encapsulation made of Type 304 or 304L stainless steel. Approximate outer dimensions are 29.97 mm (1.18 in.) in outside diameter, 18.8 mm (0.74 in.) in inside diameter and 2.67 mm (0.105 in.) in thickness. Construction shall be in accordance with attached Isotope Products Laboratories Drawing No. 4004, Sheet 1 of 1.
3. Radioactive Contents - No more than 5.55 GBq (0.15 Ci) of Americium-241. The Am-241 is in the form of an oxide in a ceramic.
4. Quality Assurance - Records of Quality Assurance activities required by Paragraph 310 of the IAEA regulations¹ shall be maintained and made available to the authorized officials for at least three years after the last shipment authorized by this certificate. Consignors in the United States exporting shipments under this certificate shall satisfy the applicable requirements of Subpart H of 10 CFR 71.
5. Expiration Date - This certificate expires on March 31, 2020.

¹ "Regulations for the Safe Transport of Radioactive Material, 1996 Edition (Revised), No. TS-R-1 (ST-1, Revised)," published by the International Atomic Energy Agency (IAEA), Vienna, Austria.

² Title 49, Code of Federal Regulations, Parts 100-199, United States of America.

CERTIFICATE USA/0352/S-96, REVISION 7

This certificate is issued in accordance with paragraph 804 of the IAEA Regulations and Section 173.476 of Title 49 of the Code of Federal Regulations, in response to the February 27, 2015 petition by Eckert & Ziegler Isotope Products, Valencia, CA, and in consideration of other information on file in this Office.

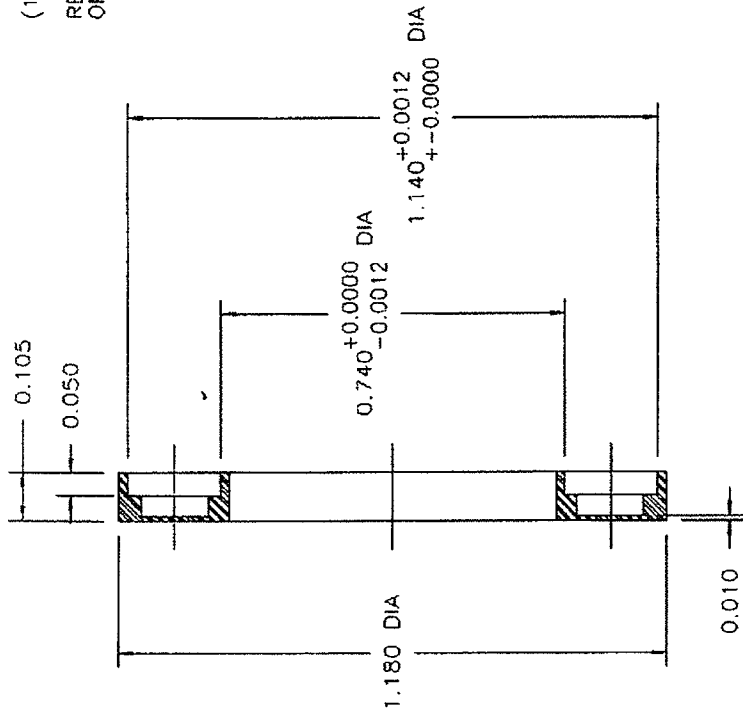
Certified By:



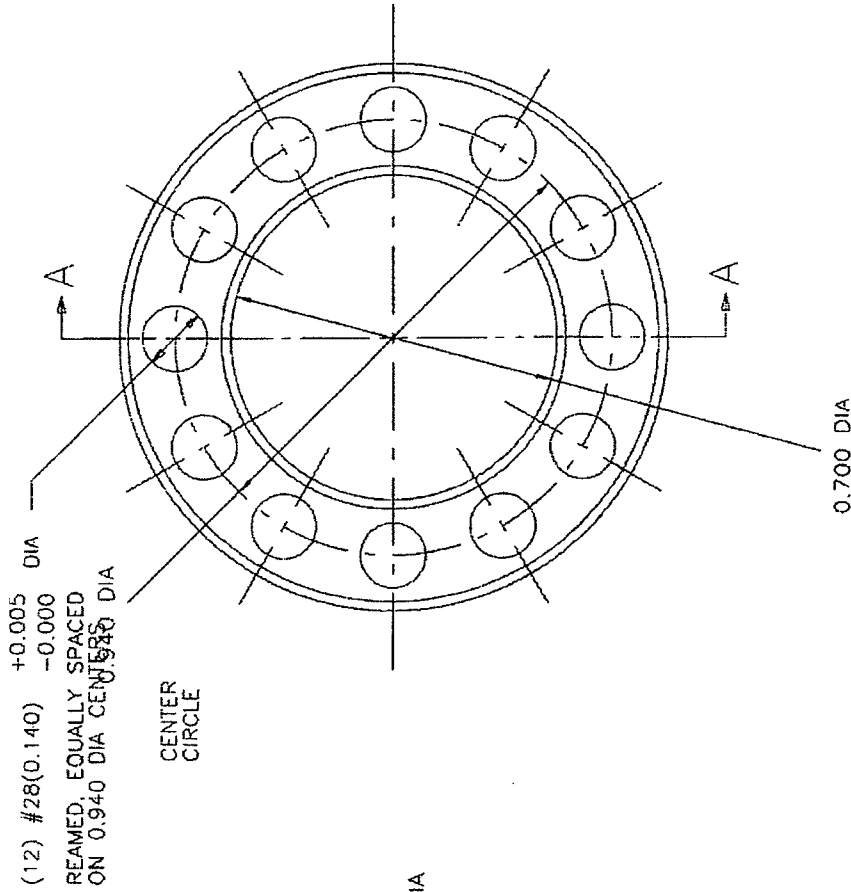
Dr. Magdy El-Sibaie
Associate Administrator for Hazardous Materials Safety

Mar 13 2015
(DATE)

Revision 7 - Issued to extend the expiration date.




SECTION A-A



HOLDER

MATERIAL: 0.125 THICKNESS x 1.25 DIA
 AISI 304 OR 304L

7. INDIVIDUALLY PACKAGE AND IDENTIFY PART NUMBER THEREON
 6. FILLETS AND ROUNDS 0.015R
 5. SURFACE FINISH: NONE
 4. SURFACE TEXTURE: $\sqrt{32}$
 3. REMOVE BURRS AND BREAK ALL SHARP EDGES
 2. TOLERANCES: 0.XXX 0.002, 0.XX 0.01 \pm 0.X 0.1, \pm ANGLE \pm 0.5°
 1. DIMENSIONS ARE IN INCHES
- NOTE: UNLESS OTHERWISE SPECIFIED

 ISOTOPE PRODUCTS LABORATORIES
 BURBANK, CALIFORNIA 91504

SCALE: NTS	APPROVED:	DESIGNED: JMD/RLT
DATE: 11/20/93		REV/CHG: -
TITLE: HOLDER, ACTIVITY		SHEET: 1 OF 1
SERIES: XRF ANNULAR SOURCES		DRAWING NUMBER: 4004



U.S. Department
of Transportation

East Building, PHH-23
1200 New Jersey Avenue SE
Washington, D.C. 20590

**Pipeline and
Hazardous Materials
Safety Administration**

CERTIFICATE NUMBER: USA/0352/S-96, Revision 7

ORIGINAL REGISTRANT(S):

Ms. Frida Tan
Regulatory Affairs Manager
Eckert & Ziegler Isotope Products
24937 Avenue Tibbitts
Valencia, 91355
USA