



U.S. Department
of Transportation

Pipeline and
Hazardous Materials
Safety Administration

East Building, PHH-23
1200 New Jersey Ave, SE
Washington, D.C. 20590

IAEA CERTIFICATE OF COMPETENT AUTHORITY
SPECIAL FORM RADIOACTIVE MATERIALS

CERTIFICATE USA/0179/S-96, REVISION 12

This certifies that the source described has been demonstrated to meet the regulatory requirements for special form radioactive material as prescribed in the regulations of the International Atomic Energy Agency¹ and the United States of America² for the transport of radioactive material.

1. Source Identification - QSA Global, Inc. Series 900 Iridium Capsule.
2. Source Description - Cylindrical single encapsulation made of Type 304L stainless steel and tungsten inert gas or laser welded. Approximate exterior dimensions are 5.2 mm (0.205 in.) in diameter and 15.5 mm (0.611 in.) in length. Inside dimensions vary, but minimum wall thickness is 0.71 mm (0.028 in.). Construction shall be in accordance with attached QSA Global, Inc. Drawing No. 900 CAP, Rev. B.
3. Radioactive Contents - No more than 8.88 TBq (240.0 Ci) of Iridium-192 in solid, metallic form.
4. Management System Activities - Records of Management System activities required by Paragraph 306 of the IAEA regulations shall be maintained and made available to the authorized officials for at least three years after the last shipment authorized by this certificate. Consignors in the United States exporting shipments under this certificate shall satisfy the requirements of Subpart H of 10 CFR 71.
5. Expiration Date - This certificate expires on October 31, 2022. Previous editions which have not reached their expiration date may continue to be used.

¹ "Regulations for the Safe Transport of Radioactive Material, 2012 Edition, No. SSR-6" published by the International Atomic Energy Agency (IAEA), Vienna, Austria.

² Title 49, Code of Federal Regulations, Parts 100-199, United States of America.


CERTIFICATE USA/0179/S-96, REVISION 12

This certificate is issued in accordance with paragraph(s) 804 of the IAEA Regulations and Section 173.476 of Title 49 of the Code of Federal Regulations, in response to the October 6, 2017 petition by QSA Global, Inc., Burlington, MA, and in consideration of other information on file in this Office.

Certified By:

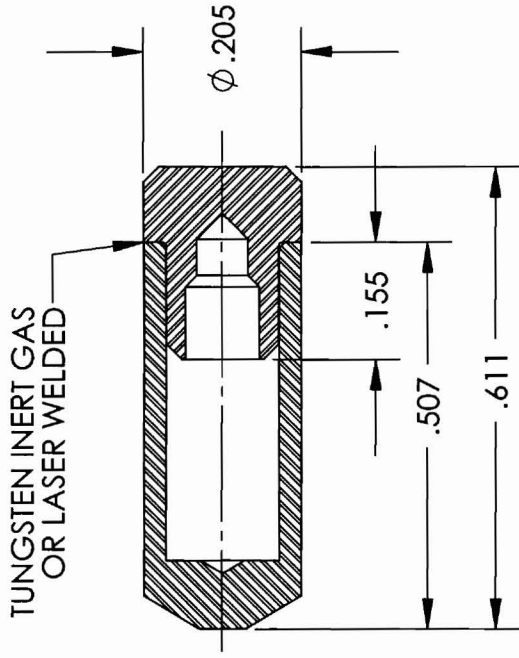


November 03,
2017

 _____
William Schoonover
Associate Administrator for Hazardous
Materials Safety

(DATE)

Revision 12 - Issued to extend the expiration date.



NOTES:

1. INTERNAL VOID VOLUME TO BE 0.010 mL OR GREATER
2. MATERIAL: 304L STAINLESS STEEL
3. INNER CAVITY DIMENSIONS MAY VARY. METALLIC SPACERS, SPRINGS AND GUARDS WHICH SECURE AND/OR LOCATE THE RADIOACTIVE MATERIAL WITHIN THE CAPSULE MAY BE USED
4. MINIMUM WALL THICKNESS TO BE 0.028

APPROVALS	DATE	DESCRIPTIVE DRAWING
<i>[Signature]</i>	7-24-07	QSA GLOBAL
<i>[Signature]</i>	28 Aug 07	40 NORTH AVE., BURLINGTON, MA 01803
UNLESS OTHERWISE SPECIFIED DIMENSIONS IN INCHES TOLERANCES:		TITLE
FRACTIONS: $\pm 1/8$		900 SERIES CAPSULE
X.X ± 0.12		SIZE
X.XX ± 0.06		A
X.XXX ± 0.020		DWG. NO. 900 CAP
ERF #	1739	SCALE: NONE
		SHEET 1 OF 1
		REV B



U.S. Department of
Transportation

**Pipeline and
Hazardous Materials
Safety Administration**

East Building, PHH-23
1200 New Jersey Ave, SE
Washington, D.C. 20590

CERTIFICATE NUMBER: USA/0179/S-96

ORIGINAL REGISTRANT(S) :

QSA Global, Inc.
30 North Avenue
Burlington, MA, 01803
USA

Source Production and Equipment Company, Inc.
113 Teal St.
St. Rose, LA, 70087
USA

Los Alamos National Laboratory
A194
LANL
Los Alamos, NM, 87545
USA