



U.S. Department
of Transportation

Pipeline and
Hazardous Materials
Safety Administration

IAEA CERTIFICATE OF COMPETENT AUTHORITY
SPECIAL FORM RADIOACTIVE MATERIALS

CERTIFICATE USA/0114/S, REVISION 11

East Building, PHH-23
1200 New Jersey Ave, SE
Washington, D.C. 20590

This certifies that the source described has been demonstrated to meet the regulatory requirements for special form radioactive material as prescribed in the regulations of the International Atomic Energy Agency¹ and the United States of America² for the transport of radioactive material.

1. Source Identification - Gulf Nuclear, Inc. Model No. AmBe 71-1 (Manufactured prior to 1988).
2. Source Description - Cylindrical double encapsulation made of stainless steel. Approximate external dimensions are from 19 mm (0.75 in.) to 31 mm (1.25 in.) in diameter and from 24.4 mm (1.0 in.) to 79 mm (3.13 in.) in length. The end plugs of the inner and outer capsules are sealed by heliarc welds. The outer capsule has a wall thickness of 1.5 mm (0.06 in.). Construction shall be in accordance with attached Gulf Nuclear, Inc. Drawing No. PL-01.
3. Radioactive Contents - No more than 0.18 TBq (5 Ci) of Americium-241 in an oxide form mixed with beryllium powder.
4. Management System Activities - Records of Management System activities required by Paragraph 306 of the IAEA regulations shall be maintained and made available to the authorized officials for at least three years after the last shipment authorized by this certificate. Consignors in the United States exporting shipments under this certificate shall satisfy the requirements of Subpart H of 10 CFR 71.
5. Expiration Date - This certificate expires on March 31, 2031. Previous editions which have not reached their expiration date may continue to be used.

¹ "Regulations for the Safe Transport of Radioactive Material, 2018 Edition, No. SSR-6 (Rev. 1)" published by the International Atomic Energy Agency (IAEA), Vienna, Austria.

² Title 49, Code of Federal Regulations, Parts 100-199, United States of America.


CERTIFICATE USA/0114/S, REVISION 11

This certificate is issued in accordance with paragraph(s) 804 of the IAEA Regulations and Section 173.476 of Title 49 of the Code of Federal Regulations, in response to the March 4, 2026 petition by QSA Global, Inc., Burlington, MA, and in consideration of other information on file in this Office.

Certified By:

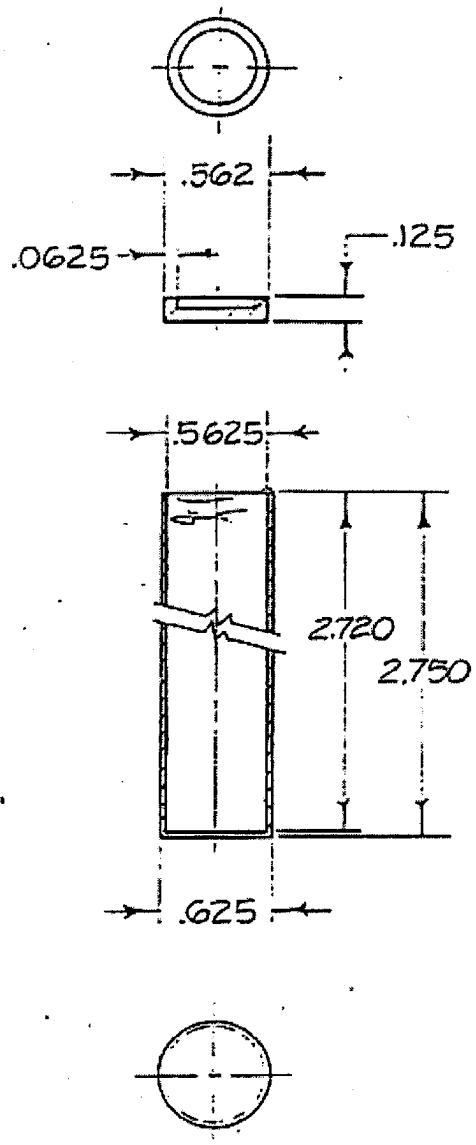
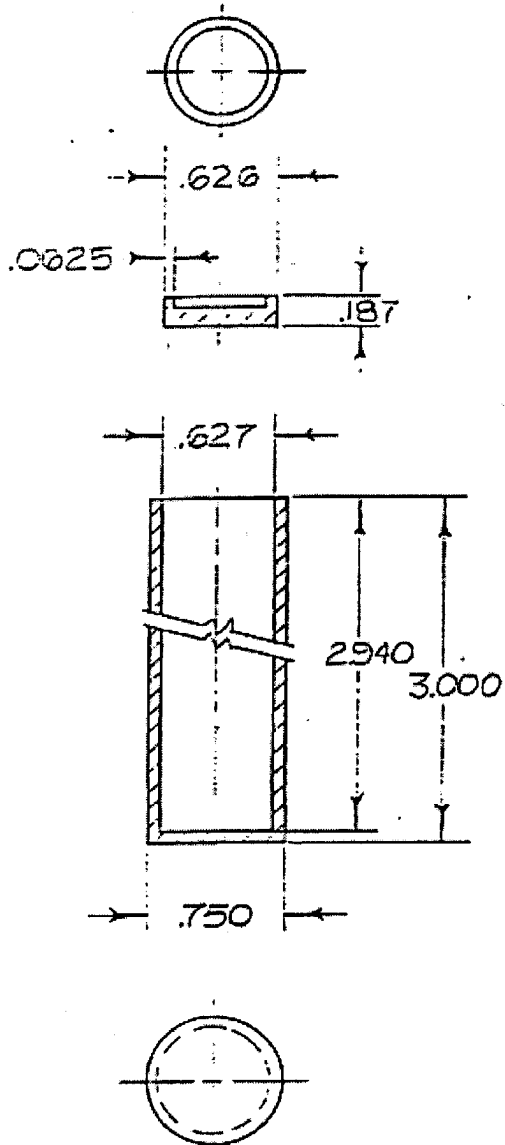


March 18, 2026

 William Quade
Acting Associate Administrator for
Hazardous Materials Safety

(DATE)

Revision 11 - Issued to endorse to 2018 edition of the IAEA Regulations for the Safe Transport of Radioactive Material, SSR-6 (Rev. 1) and to extend the expiration date.



NOTE: PRESS FIT LIDS

| REVISIONS | | | GULF NUCLEAR, INC. | | |
|-----------|------|----|--------------------|---------------|--------------------|
| NO. | DATE | BY | | | |
| 1 | | | AMBE 71-15C1 | | |
| 2 | | | | | |
| 3 | | | DRAWN BY L.A. | SCALE FULL | MATERIAL 17-4PH-EE |
| 4 | | | CHK'D | DATE 11-24-81 | DRAWING NO. |
| 5 | | | TRACED | APP'D | PL-01 |



U.S. Department of
Transportation

**Pipeline and
Hazardous Materials
Safety Administration**

East Building, PHH-23
1200 New Jersey Ave, SE
Washington, D.C. 20590

CERTIFICATE NUMBER: USA/0114/S-96

ORIGINAL REGISTRANT(S) :

QSA Global, Inc.
40 North Avenue
Burlington, MA, 01803
USA

Baker Hughes Baker Atlas
P. O. Box 670968
Houston, TX, 77267
USA

Halliburton
3000 North Sam Houston Parkway, East
Houston, TX, 77032
USA

Stuart Hunt & Associates Ltd
20 Rayborn Crescent St.
Alberta, Canada, T8N 5C1
Canada

Los Alamos National Laboratory Off-Site Source Recovery Project
Operations Support - Packaging and Transportation
P.O. Box 1663, Mail Stop: A194
Los Alamos, NM, 87545
USA

Schlumberger
300 Schlumberger Drive
MD-225
Sugar Land, TX, 77478
USA

U.S. Geologic Survey
Idaho Water Science Center, U.S. Geological Survey
Department of Interior
1955 N Fremont MS 4131

Idaho Falls, ID, 83415
USA

Pacific Northwest National Laboratory
Pacific Northwest National Laboratory
902 Battelle Boulevard
P.O. Box 999, MS J2-25
Richland, WA, 99354
USA

Century Geophysical Corporation
1223 S. 71st E. Ave.
Tulsa, OK, 74112
USA

Jet West Geophysical Services
P.O. Box 3522
Farmington, NM, 87499
USA

Comprobe, Inc.
9632 Crowley Rd.
Fort Worth, TX, 76134
USA