



U.S. Department  
of Transportation

Pipeline and  
Hazardous Materials  
Safety Administration

East Building, PHH-23  
1200 New Jersey Ave, SE  
Washington, D.C. 20590

IAEA CERTIFICATE OF COMPETENT AUTHORITY  
SPECIAL FORM RADIOACTIVE MATERIALS

CERTIFICATE USA/0078/S-96, REVISION 12

This certifies that the source described has been demonstrated to meet the regulatory requirements for special form radioactive material as prescribed in the regulations of the International Atomic Energy Agency<sup>1</sup> and the United States of America<sup>2</sup> for the transport of radioactive material.

1. Source Identification - Gulf Nuclear Model CSV.
2. Source Description - Cylindrical welded double encapsulation made of Type 17-4 stainless steel. Approximate outer dimensions are 5.0 mm (0.2 in.) to 25.4 mm (1.0 in.) in diameter and 12.7 mm (0.5 in.) to 76.2 mm (3.0 in.) in length. Construction shall be in accordance with attached Gearhart Drawing No. 015-2011-039 or Dresser Atlas Drawing No. 88645.
3. Radioactive Contents - No more than either 111.0 GBq (3.0 Ci) of Thulium-170 as an oxide, 370.0 GBq (10.0 Ci) of Cesium-137 as ceramic pellets, 185.0 GBq (5.0 Ci) of Cobalt-60 as a metal, 74.0 GBq (2.0 Ci) of Americium-241 as an oxide, or 1.85 GBq (0.05 Ci) of Radium-226 as a sulfate.
4. Management System Activities - Records of Management System activities required by Paragraph 306 of the IAEA regulations shall be maintained and made available to the authorized officials for at least three years after the last shipment authorized by this certificate. Consignors in the United States exporting shipments under this certificate shall satisfy the requirements of Subpart H of 10 CFR 71.

---

<sup>1</sup> "Regulations for the Safe Transport of Radioactive Material, 2012 Edition, No. SSR-6" published by the International Atomic Energy Agency (IAEA), Vienna, Austria.

<sup>2</sup> Title 49, Code of Federal Regulations, Parts 100-199, United States of America.

**CERTIFICATE USA/0078/S-96, REVISION 12**

5. Expiration Date - This certificate expires on July 31, 2025. Previous editions which have not reached their expiration date may continue to be used.

This certificate is issued in accordance with paragraph(s) 804 of the IAEA Regulations and Section 173.476 of Title 49 of the Code of Federal Regulations, in response to the May 1, 2020 petition by QSA Global, Inc., Burlington, MA, and in consideration of other information on file in this Office.

Certified By:



July 16, 2020  
(DATE)

 William Schoonover  
Associate Administrator for Hazardous  
Materials Safety

Revision 12 - Issued to extend the expiration date.

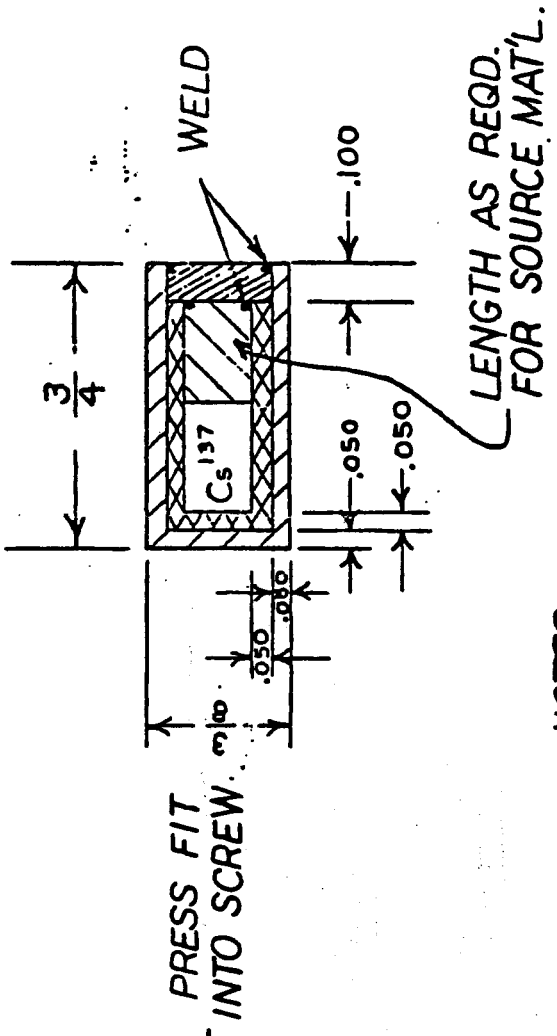
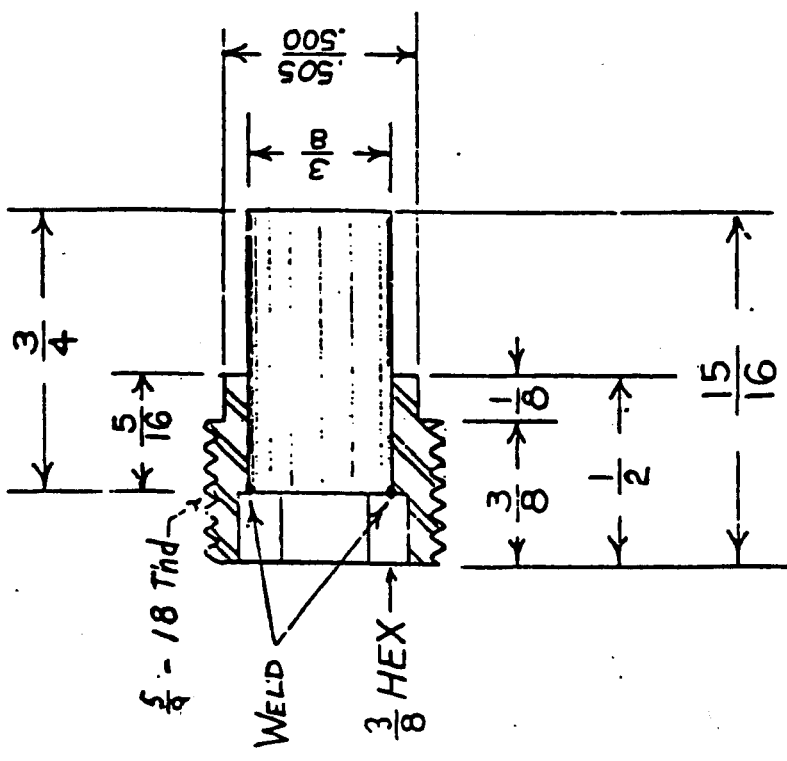
015-2011-039

MODIFY  $\frac{1}{2} \times \frac{3}{4}$  SOCKET HEAD CAP SCREW  
AS SHOWN 18 THDS PER INCH  
(STAINLESS STEEL)

SOURCE STRENGTH:

CESIUM 137  
2.1 CURIE

+200 MILLICURIE  
-100 MILLICURIE



NOTES:

MATL: 17.4 PH/316 S.S.

003-4703-800  
N/A: 003-4703-000

TOLERANCES UNLESS NOTED OTHERWISE (DECIMAL ±.008) (FRACTIONAL ±1/64) (ANGULAR ± 1/2°)		BEARHART INDUSTRIES, INC. BOX 1936 • FORT WORTH, TEXAS 76101	
DIAMETERS CONCENTRIC TO ± T.I.P. FINISH MARK V INDICATES POLISH FINISH BREAK SHARP EDGES WITH 1/64 RADIUS		COMPENSATED DENSITY SOURCE	
MATL: $\Delta$ (VFM)	HEAT TREAT: N/A	2C CESIUM 137	
SCALE: 2/1	DRAWN BY: JT		
DATE: 11-11-71	APPROVED BY:		
3 ECO 11737 JR 10-27-08/140			
2 ECO 9713 SPM 5-27-08/140			
1 ECO #2493 A.F. 10-6-71/140			

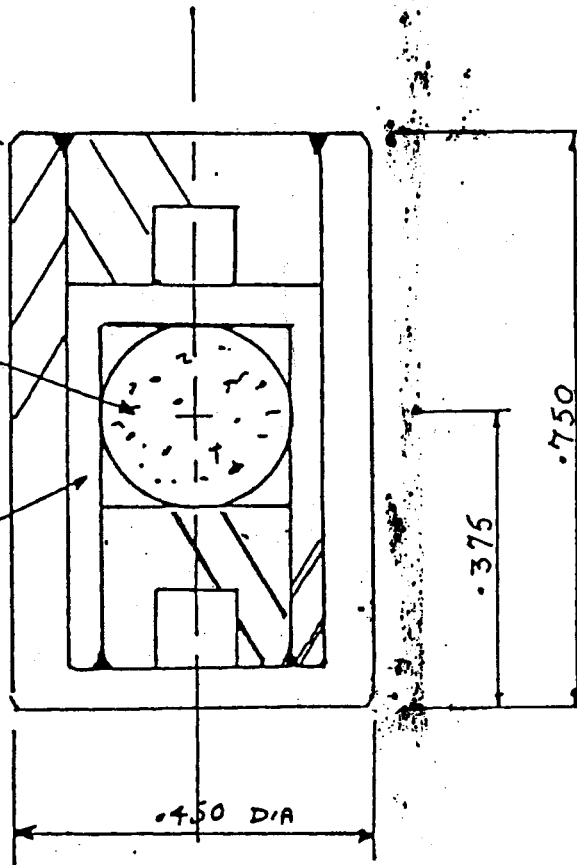
sheath drg A88643

cell A88644

sheath XN 226

ceramic  
diameter  $\approx 0.22$

cell XN 225



Dims inches

Scale 4:1



U.S. Department of  
Transportation

**Pipeline and  
Hazardous Materials  
Safety Administration**

East Building, PHH-23  
1200 New Jersey Ave, SE  
Washington, D.C. 20590

**CERTIFICATE NUMBER:** USA/0078/S-96

**ORIGINAL REGISTRANT(S) :**

QSA Global, Inc.  
30 North Avenue  
Burlington, MA, 01803  
USA

Baker Hughes Baker Atlas  
2001 Rankin Road  
Houston, TX, 77073  
USA

Halliburton  
3000 North Sam Houston Parkway, East  
Houston, TX, 77032  
USA