



U.S. Department
of Transportation

Pipeline and
Hazardous Materials
Safety Administration

East Building, PHH-23
1200 New Jersey Ave, SE
Washington, D.C. 20590

IAEA CERTIFICATE OF COMPETENT AUTHORITY
SPECIAL FORM RADIOACTIVE MATERIALS

CERTIFICATE USA/0074/S-96, REVISION 10

This certifies that the source described has been demonstrated to meet the regulatory requirements for special form radioactive material as prescribed in the regulations of the International Atomic Energy Agency¹ and the United States of America² for the transport of radioactive material.

1. Source Identification - 3M Model 4F6P. All sources authorized by this certificate shall have been manufactured prior to October 14, 1991.
2. Source Description - The source is a welded stainless steel double encapsulation. The diameter of the outer capsule is 12.7 mm (0.5 in.) and the diameter of the inner capsule is 3.17 mm (0.125 in.). The overall length ranges from 63.5 mm (2.5 in.) to 1867 mm (73.5 in.). The active length of the radioactive contents is 38.1 mm (1.5 in.) less than the overall length. The source shall be manufactured in accordance with attached 3M Drawing No. 12-1921-0855-8.
3. Radioactive Contents - No more than 0.37 TBq (10 Ci) of Cesium-137 in the form of 3M Brand Radiating Ceramic Microspheres. The activity per unit length in the inner capsule is uniform, and ranges from small values up to approximately 1.17 GBq/mm (0.8 Ci/in.).
4. Management System Activities - Records of Management System activities required by Paragraph 306 of the IAEA regulations shall be maintained and made available to the authorized officials for at least three years after the last shipment authorized by this certificate. Consignors in the United States exporting shipments under this certificate shall satisfy the requirements of Subpart H of 10 CFR 71.

¹ "Regulations for the Safe Transport of Radioactive Material, 2012 Edition, No. SSR-6" published by the International Atomic Energy Agency (IAEA), Vienna, Austria.

² Title 49, Code of Federal Regulations, Parts 100-199, United States of America.

CERTIFICATE USA/0074/S-96, REVISION 10

5. Expiration Date - This certificate expires on November 30, 2026. Previous editions which have not reached their expiration date may continue to be used.

This certificate is issued in accordance with paragraph(s) 804 of the IAEA Regulations and Section 173.476 of Title 49 of the Code of Federal Regulations, in response to the October 11, 2021 petition by J.L. Shepherd & Associates, San Fernando, CA, and in consideration of other information on file in this Office.

Certified By:

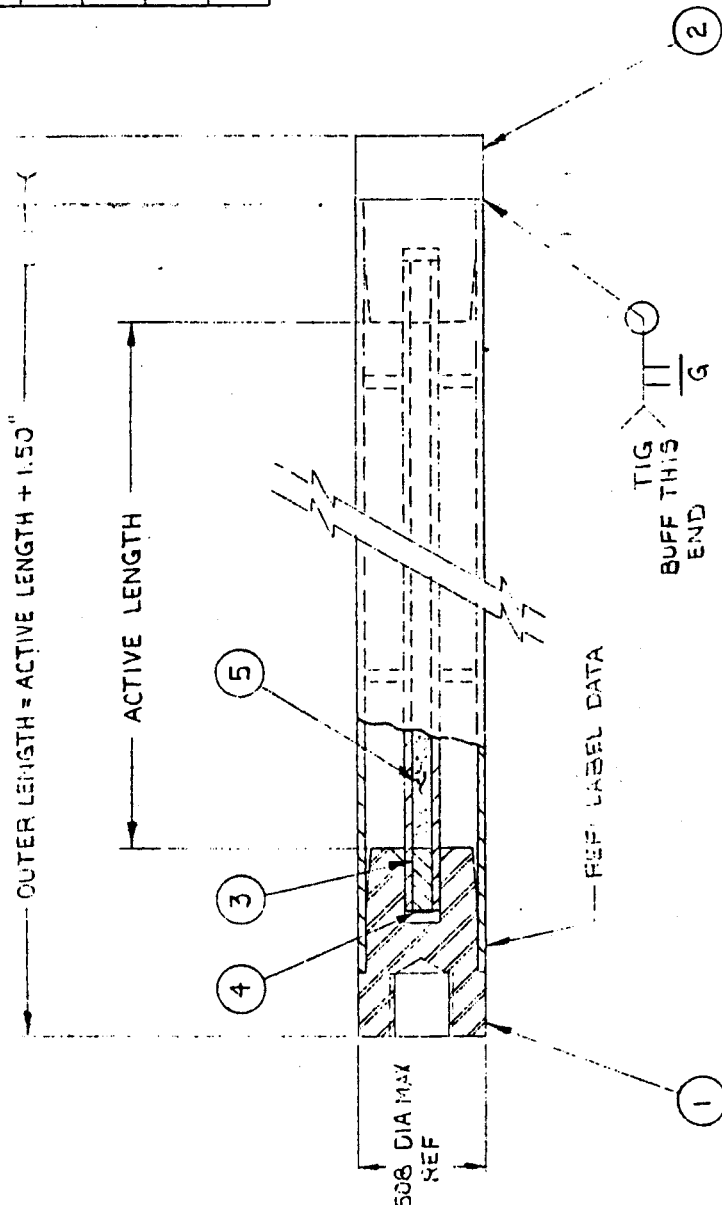


November 22, 2021
(DATE)

 William Schoonover
Associate Administrator for Hazardous
Materials Safety

Revision 10 - Issued to extend the expiration date.

ITEM	QTY	PART NO.	DESCRIPTION
1	1	B-12-1921-3559-3	ASSY OUTER TUBE
2	1	B-12-1921-3558-5	ASSY INNER TUBE
3	1	B-12-1921-3538-7	INNER PLUG
4	AR	26-1004-4253-7	BRAZE: SILVER CAD FREE ALL STATE 155
5	AR		ACTIVITY: 3M BRAND RADIATING MICROSPHERES CONTAINING Cs-137



USED ON

© 3M COPYRIGHT 1982
This document is the copyrighted property of the 3M Company and may not be reproduced without 3M written permission or used for other than 3M authorized purposes.

OPERATION	PLACES IN DIMENSION	MAXIMUM SURFACE ROUGHNESS
MACHINING	±.1 ±.02 ±.008	✓
CUT OFF (SAW)	±.1 ±.04	
WELDING	± ± ±	
ANGULAR DIM.	± ± ±	
SCALE	2X	APP. 7.5

3M
Engineering Division/3M
St. Paul, Minnesota 55101

CHUCK ZENDER

B

ISSUE DATE AND CHANGE RECORD

ISSUE	REV.	CHG.
E	NOV 9, 82	CRZ
	ECO 82-0080	777
	DRAWN FROM REV D	

TITLE
ASSEMBLY
STRIP SOURCE
4FGP

PART NO.
12-1921-0355-8



U.S. Department of
Transportation

**Pipeline and
Hazardous Materials
Safety Administration**

East Building, PHH-23
1200 New Jersey Ave, SE
Washington, D.C. 20590

CERTIFICATE NUMBER: USA/0074/S-96

ORIGINAL REGISTRANT(S) :

J.L. Shepherd & Associates
1010 Arroyo Ave.
San Fernando, CA, 91340-1822
USA

Thermo Fisher Scientific
1410 Gillingham Lane
Sugar Land, TX, 77478
USA

VEGA Americas, Inc.
4241 Allendorf Dr.
Cincinnati, OH, 45209
USA